

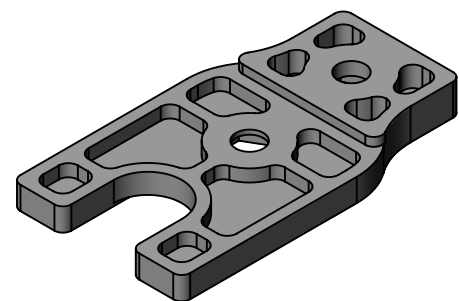
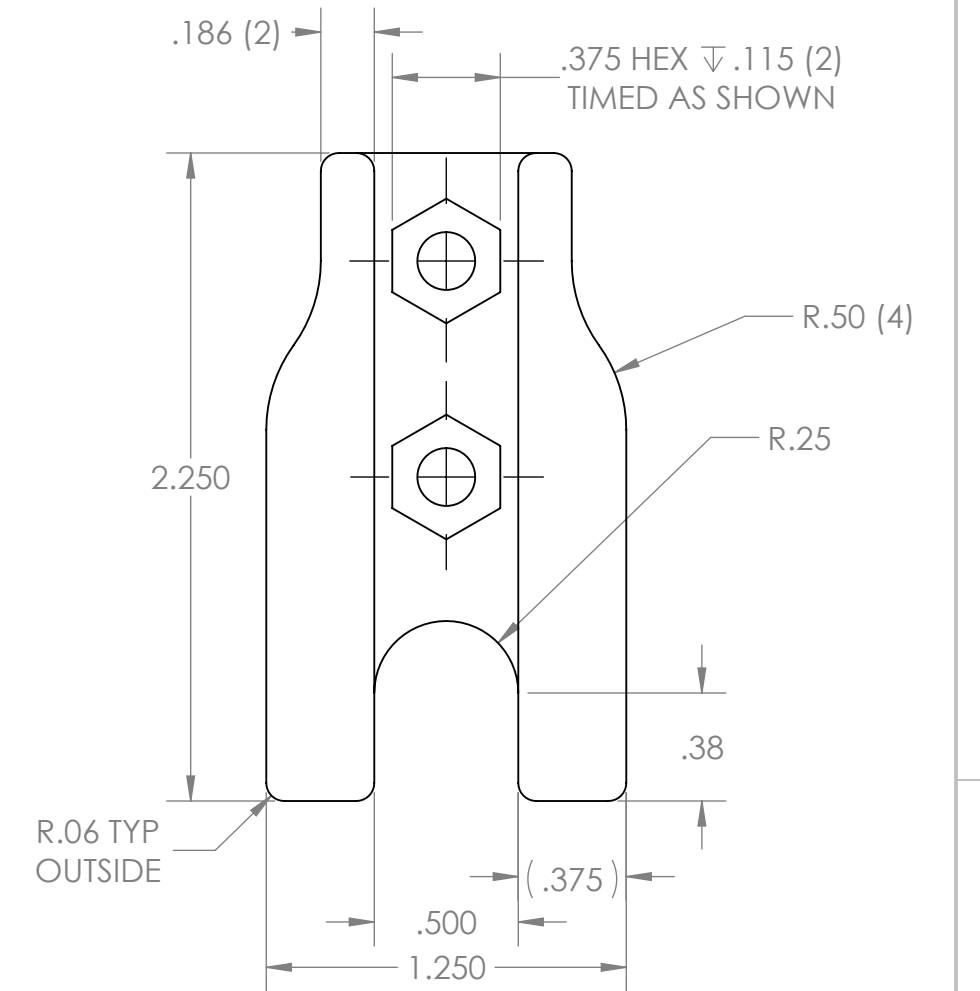
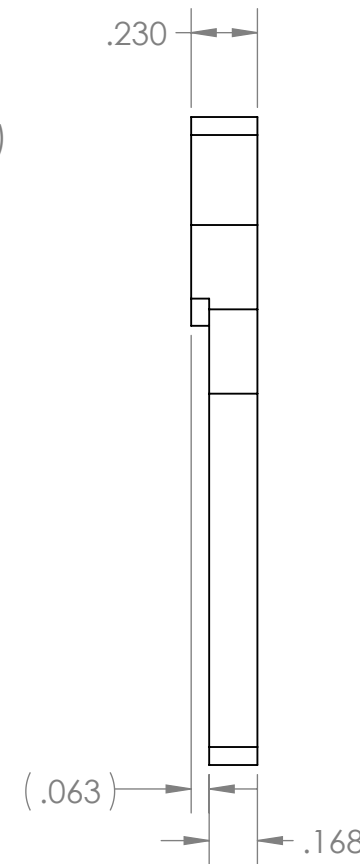
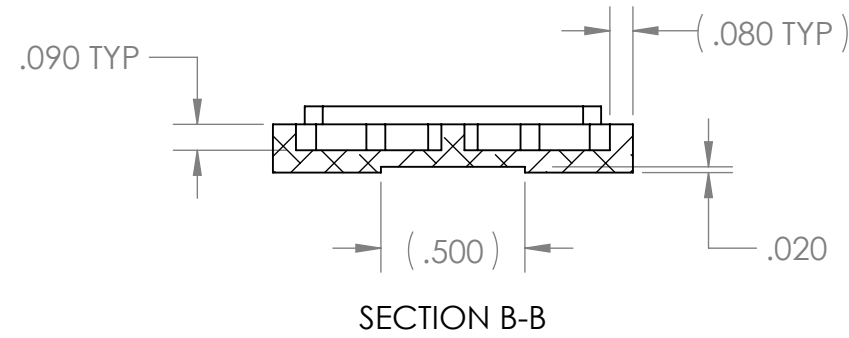
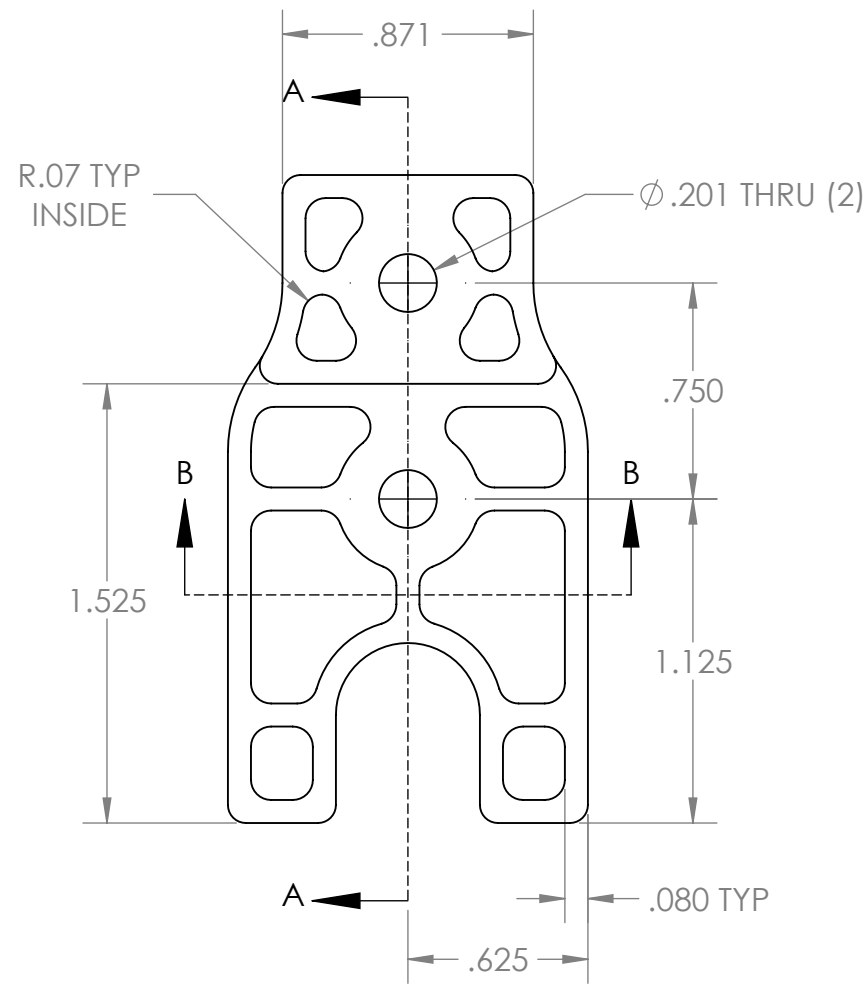
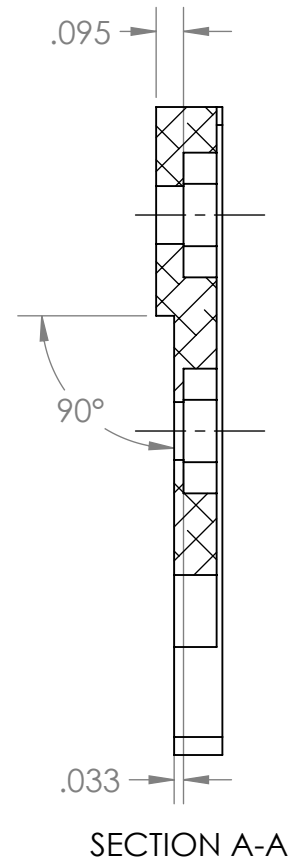
4

3


2

1

REVISION HISTORY			
REV.	DESCRIPTION	DATE	DRAWN BY
1	ORIGINAL PRINT	9/14/2021	N. LAWRENCE



*** SEE CAD FOR ADDITIONAL TOOLPATH INFO***

UNLESS OTHERWISE SPECIFIED:		COMMENTS:				
DIMENSIONS ARE IN INCHES		DUAL DIMENSIONS ARE IN MILLIMETERS.				
TOLERANCES:		BREAK ALL SHARP EDGES.		CLIMBER IN A BOX		
FRACTIONAL	±1/16			INSIDE SLIDER BLOCK		
ANGULAR: MACH	±1°			SIZE	DWG. NO.	REV
ANGULAR: BEND	±5°			B	am-4629	1
ONE PLACE DECIMAL	±0.1			SCALE: 1.5:1		
TWO PLACE DECIMAL	±0.01			SHEET 1 OF 1		
THREE PLACE DECIMAL	±0.005					
FOUR PLACE DECIMAL	±0.0005					
MATERIAL	NYLON 6/6 BLACK	CHECKED	NAME	DATE		
FINISH	DEBURRED	ENG APPR.	KK	9/15/21		
DO NOT SCALE DRAWING		MFG APPR.				
		Q.A.				

4

3

2

1