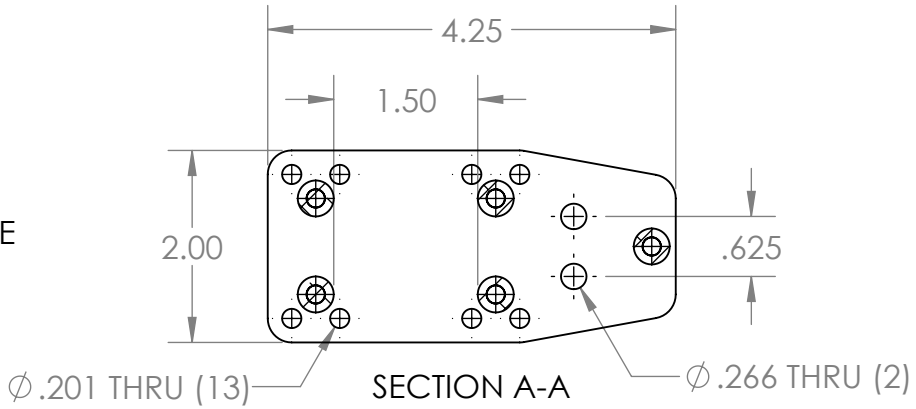
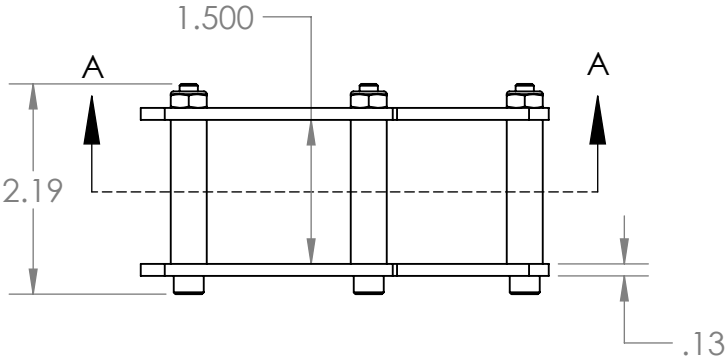
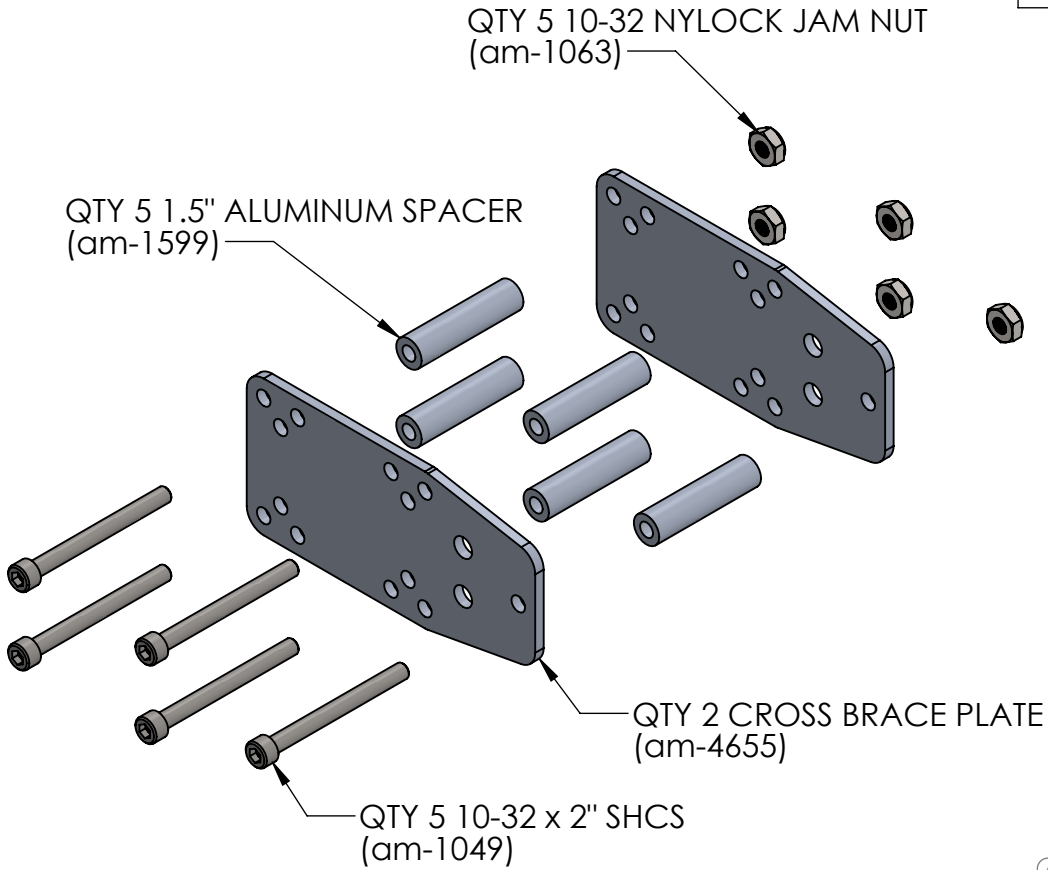
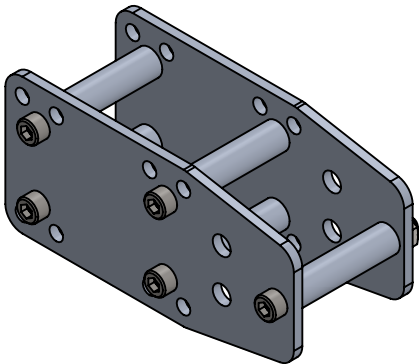



REVISION HISTORY			
REV.	DESCRIPTION	DATE	DRAWN BY
1	ORIGINAL PRINT	12/6/2021	N. LAWRENCE



\*\*\* SEE CAD FOR ADDITIONAL TOOLPATH INFO\*\*\*



UNLESS OTHERWISE SPECIFIED:		COMMENTS:			
<b>DIMENSIONS ARE IN INCHES</b>		DUAL DIMENSIONS ARE IN MILLIMETERS.			
TOLERANCES:		BREAK ALL SHARP EDGES.		TITLE:	
FRACTIONAL	±1/16			<b>CLIMBER IN A BOX</b> <b>1.5IN BRACE KIT</b>	
ANGULAR: MACH	±1°				
ANGULAR: BEND	±5°				
ONE PLACE DECIMAL	±0.1				
TWO PLACE DECIMAL	±0.01	MATERIAL 6061-T6 AL PLATES 6061-T6 AL SPACERS STEEL HARDWARE		SIZE	DWG. NO.
THREE PLACE DECIMAL	±0.005	CHECKED	NAME	<b>A</b>	<b>am-4682</b>
FOUR PLACE DECIMAL	±0.0005	ENG APPR.	DATE		
FINISH		MFG APPR.			
DEBURRED		Q.A.			
DO NOT SCALE DRAWING				SCALE: 1:2	
				SHEET 1 OF 1	