

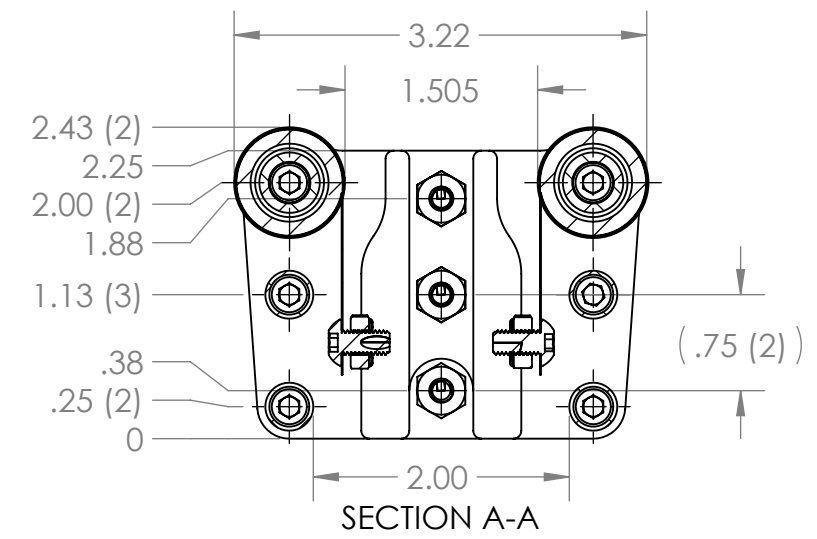
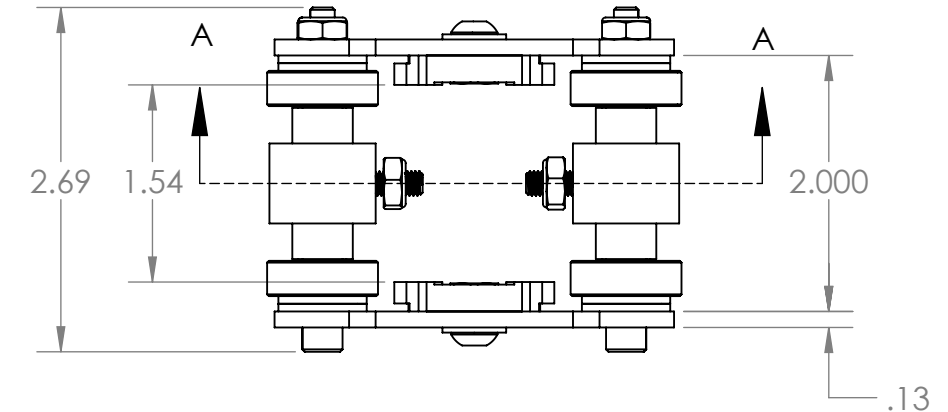
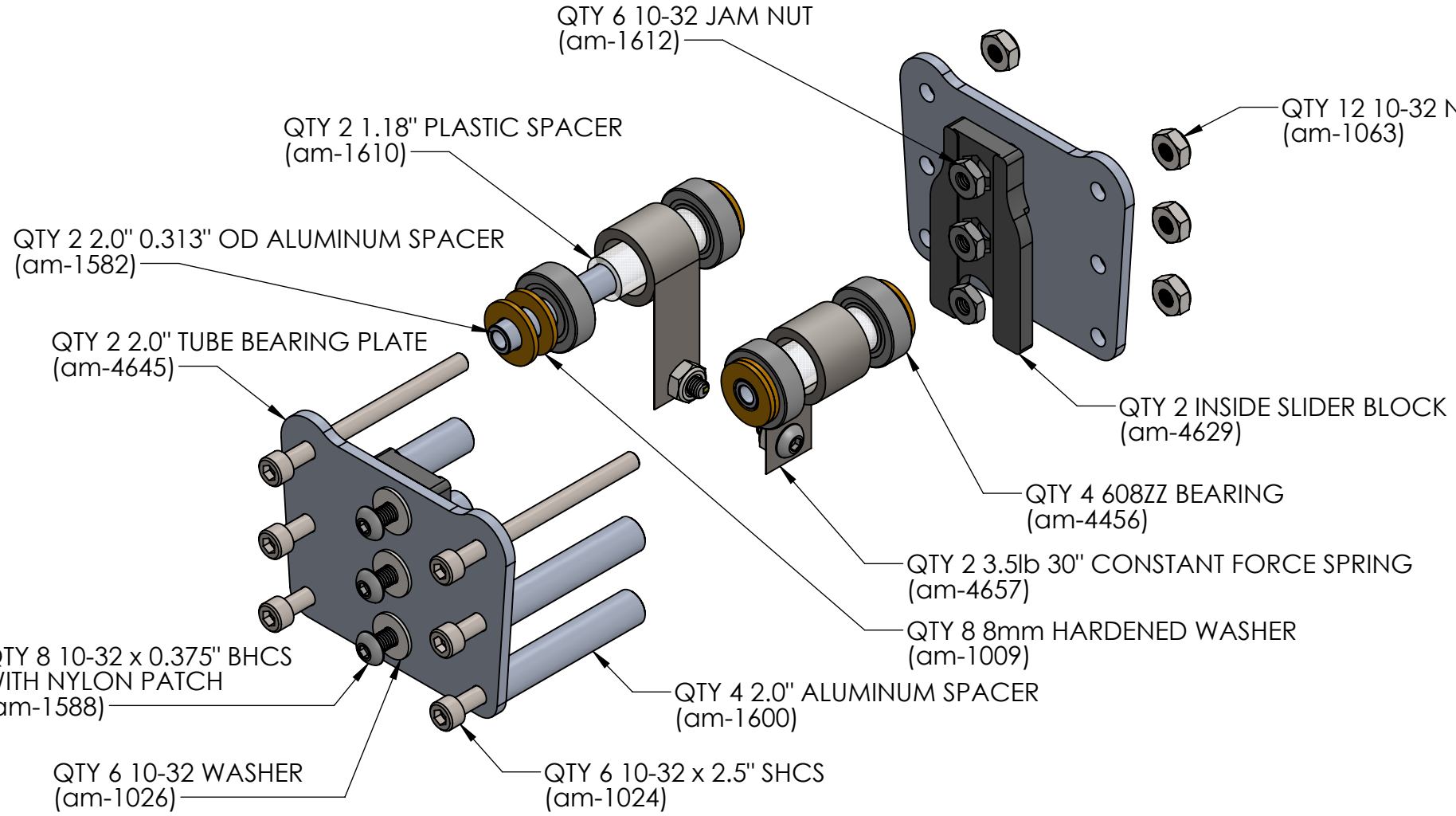
4

3

2

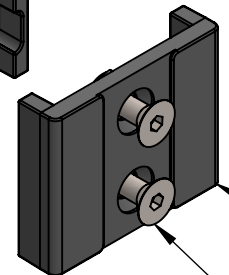
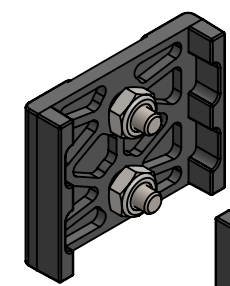
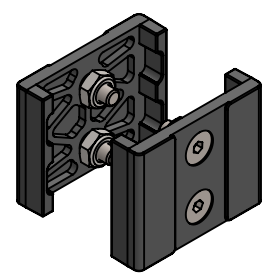
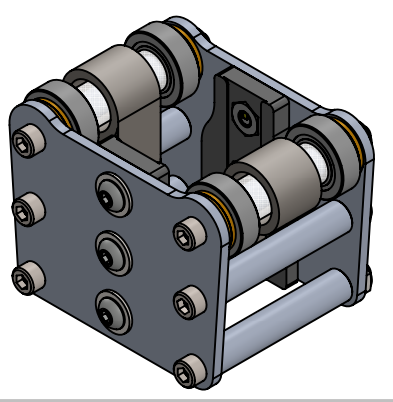
1

REVISION HISTORY			
REV.	DESCRIPTION	DATE	DRAWN BY
1	ORIGINAL PRINT	12/6/2021	N. LAWRENCE



EXTERNAL BEARING ASSEMBLY

INTERNAL BEARING ASSEMBLY



QTY 2 1.5" CLAMP SLIDER BLOCK (am-4629)

QTY 4 10-32 x 0.5" FHCS WITH NYLON PATCH (am-1505)

*** SEE CAD FOR ADDITIONAL TOOLPATH INFO***

UNLESS OTHERWISE SPECIFIED:		COMMENTS:				
DIMENSIONS ARE IN INCHES		DUAL DIMENSIONS ARE IN MILLIMETERS.				
TOLERANCES:		BREAK ALL SHARP EDGES.		SIZE	DWG. NO.	REV
FRACTIONAL	±1/16			B	am-4662	1
ANGULAR: MACH	±1°			SCALE: 1:1.5 SHEET 1 OF 1		
ANGULAR: BEND	±5°	CHECKED	NAME	DATE		
ONE PLACE DECIMAL	±0.1	ENG APPR.	NM	12/7/21		
TWO PLACE DECIMAL	±0.01	MFG APPR.				
THREE PLACE DECIMAL	±0.005	Q.A.				
FOUR PLACE DECIMAL	±0.0005					
MATERIAL	VARIOUS					
FINISH	DEBURRED					
DO NOT SCALE DRAWING						

4

3

2

1