

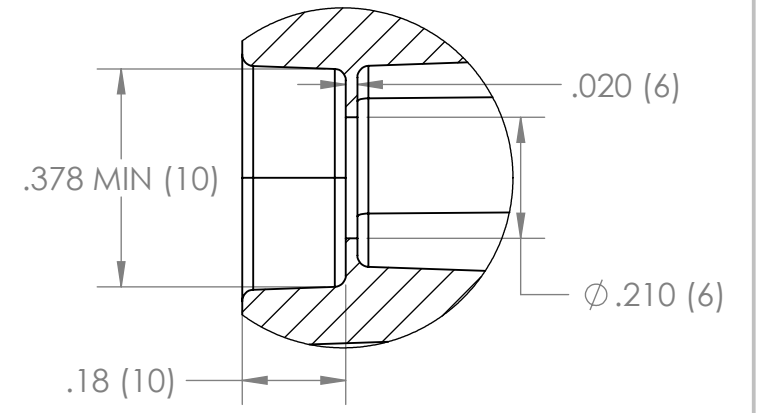
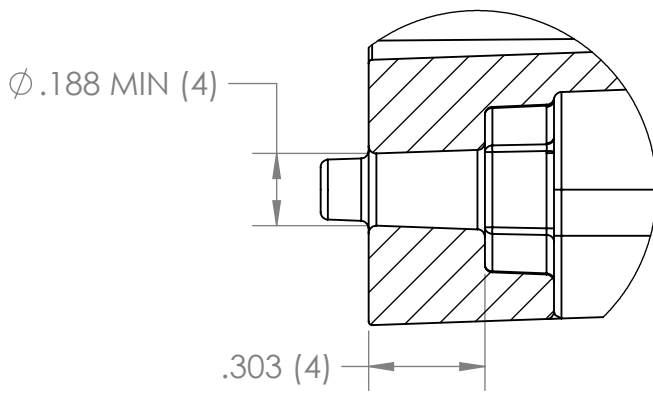
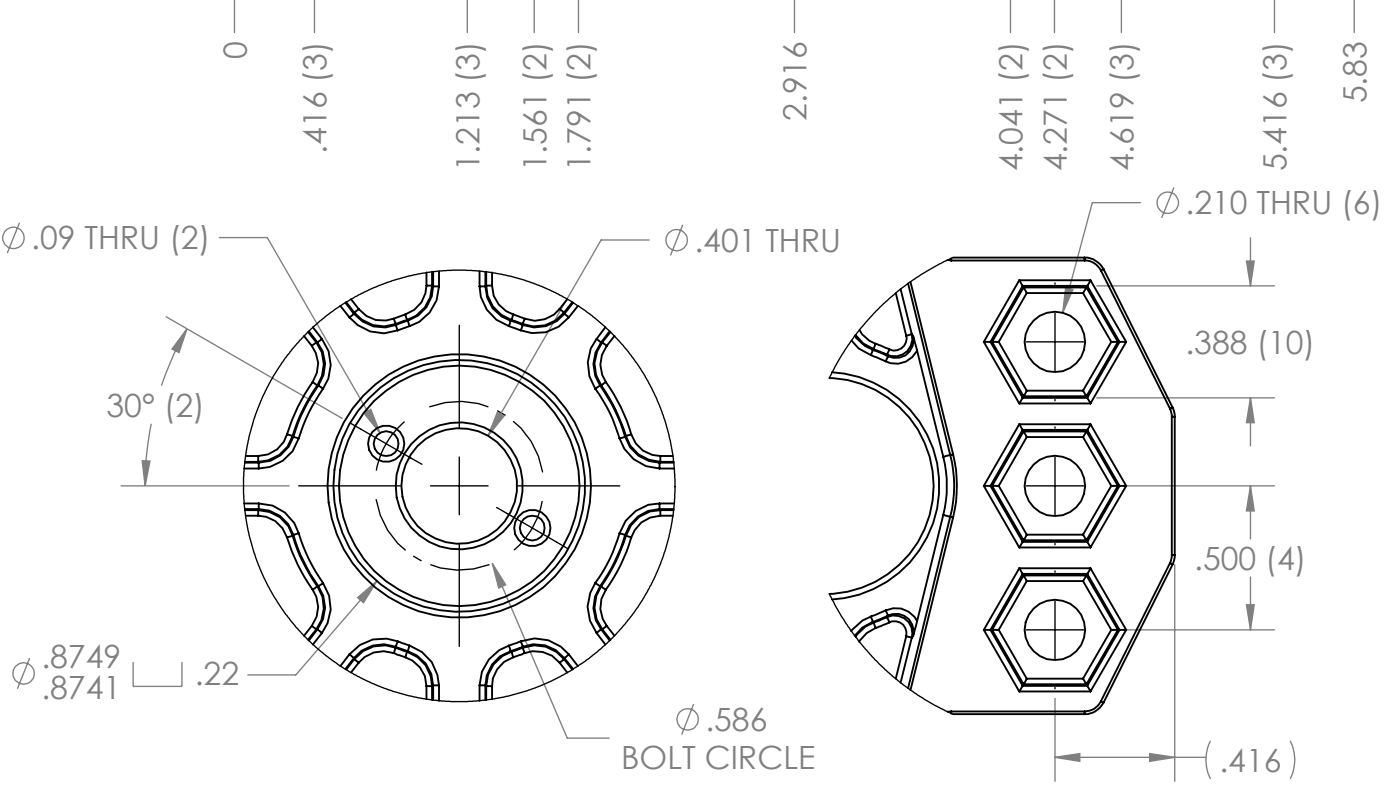
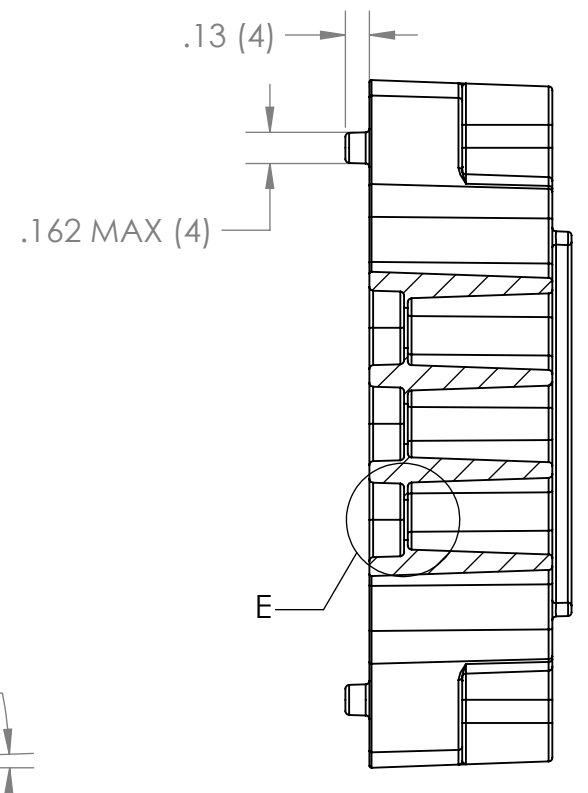
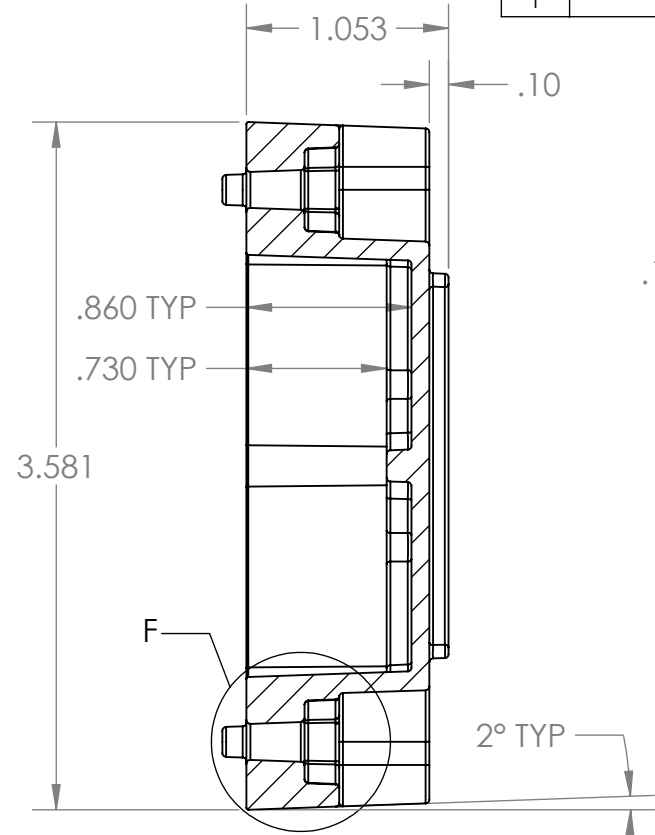
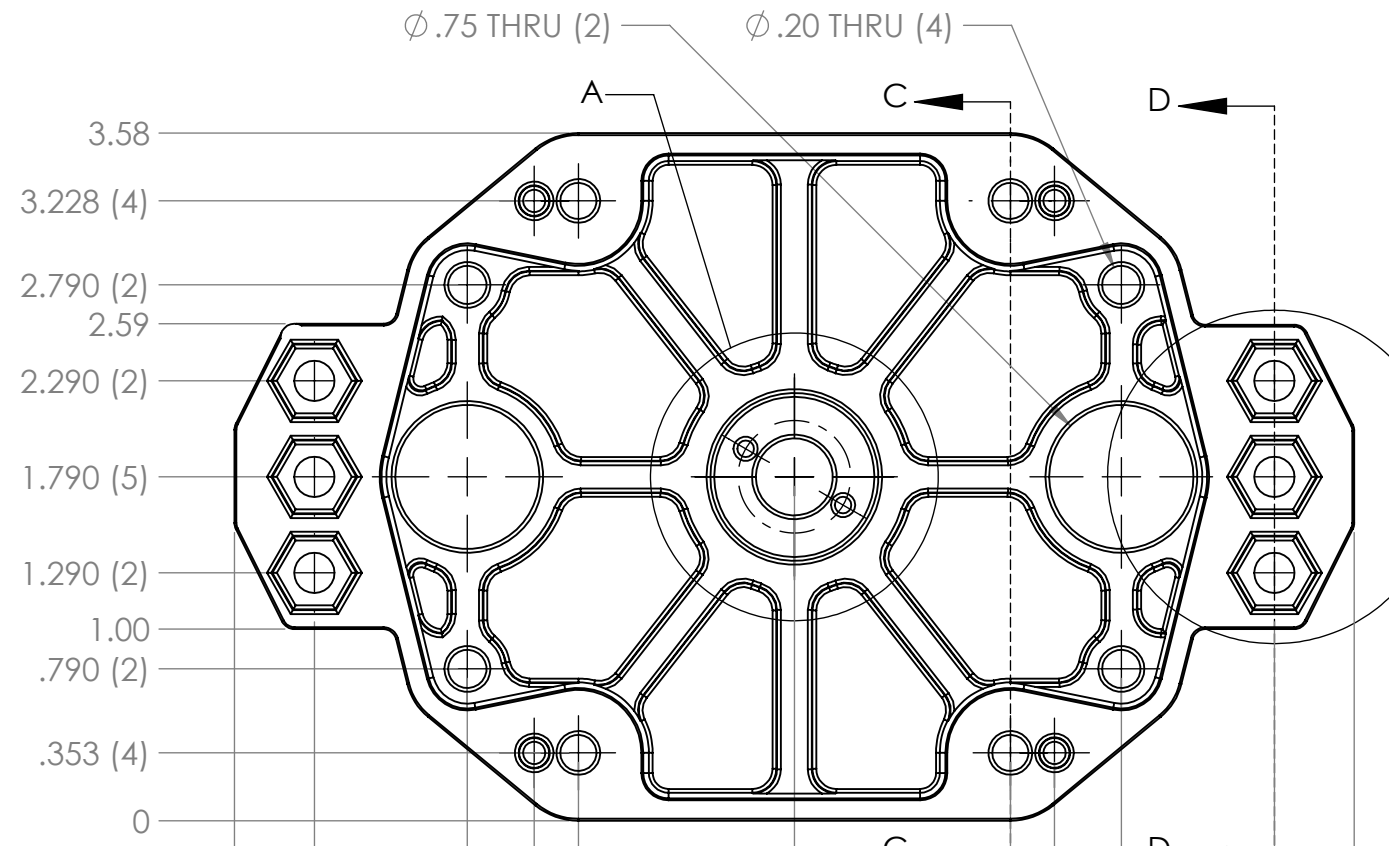
4

3

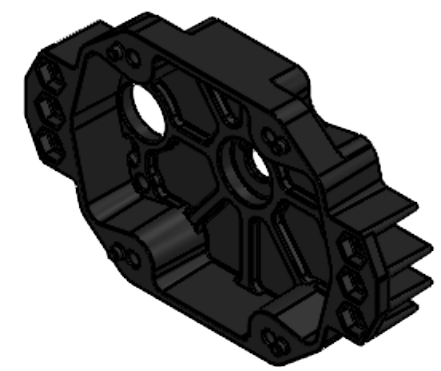
2

1

REVISION HISTORY			
REV.	DESCRIPTION	DATE	DRAWN BY
1	ORIGINAL PRINT	6/7/2022	T. JORGENSEN



*** SEE CAD FOR ADDITIONAL TOOLPATH INFO***



UNLESS OTHERWISE SPECIFIED:		COMMENTS:	
DIMENSIONS ARE IN INCHES		DUAL DIMENSIONS ARE IN MILLIMETERS.	
TOLERANCES:		BREAK ALL SHARP EDGES.	
FRACTIONAL	$\pm 1/16$	TITLE:	
ANGULAR: MACH	$\pm 1^\circ$	CIMPLE BOX V2	
ANGULAR: BEND	$\pm 5^\circ$	HOUSING	
ONE PLACE DECIMAL	± 0.1	SIZE	DWG. NO.
TWO PLACE DECIMAL	± 0.01	B	am-0739a
THREE PLACE DECIMAL	± 0.005	SCALE: 1:1	SHEET 1 OF 1
FOUR PLACE DECIMAL	± 0.0005		
MATERIAL	NYLON 6/6 LONG FIBER	CHECKED	NAME
FINISH	DEBURRED	ENG APPR.	NL
		MFG APPR.	
		Q.A.	
		DATE	6/8/22
		REV	1

4

3

2

1

B

B

A

A