

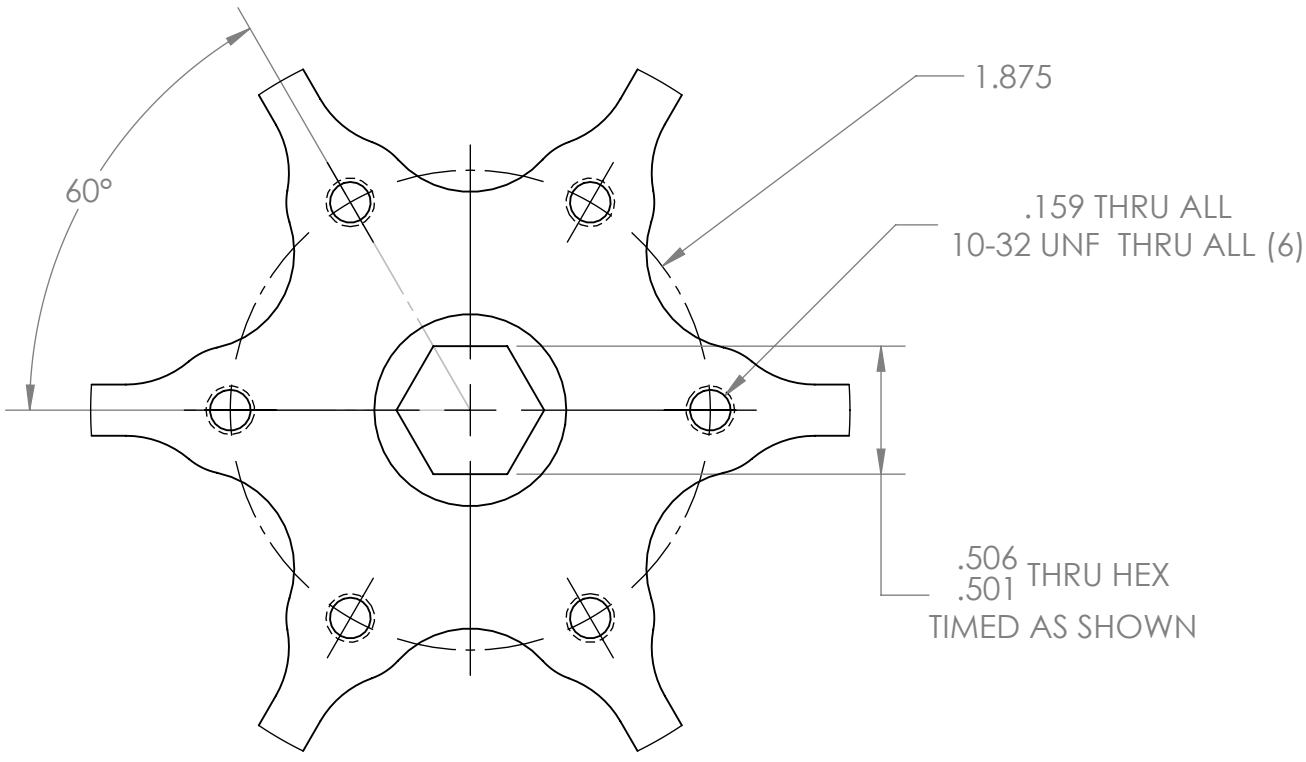
4

3

2

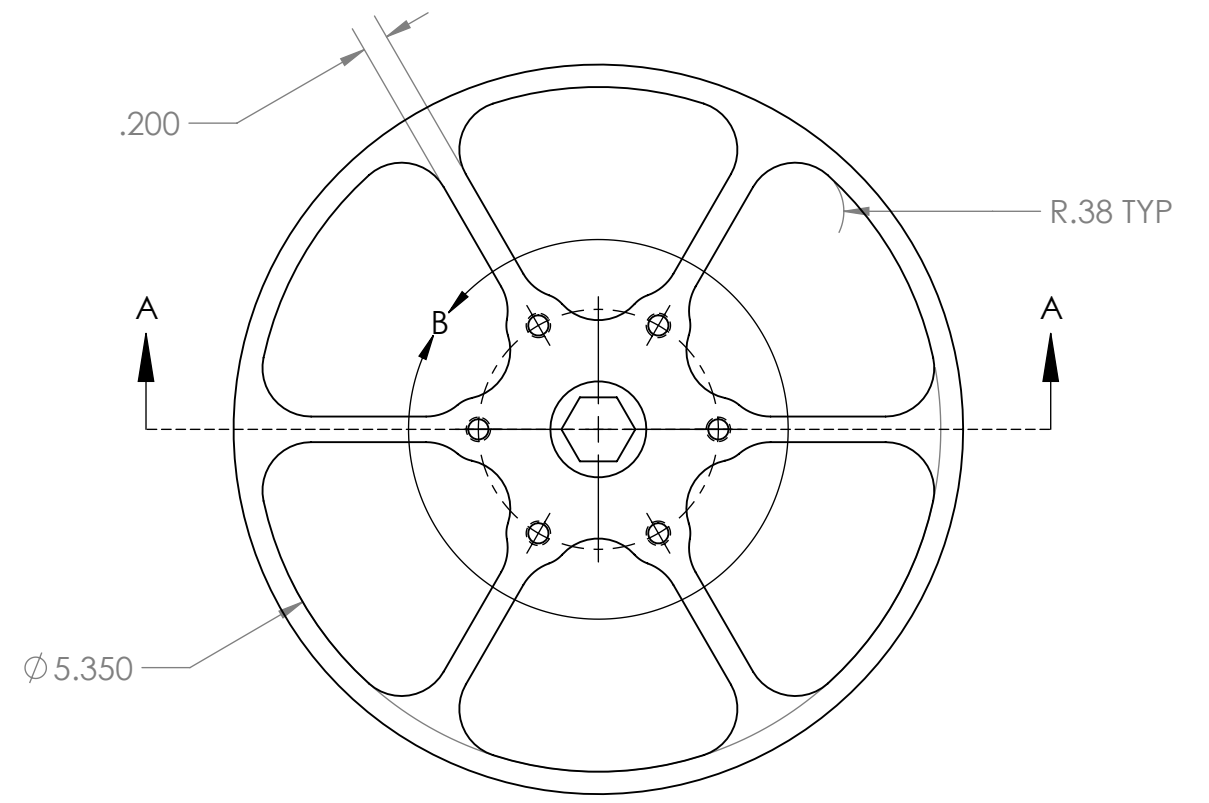
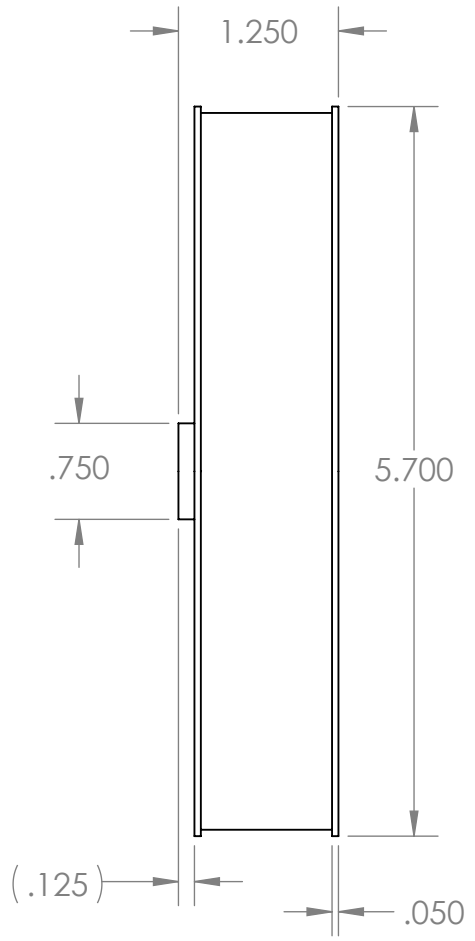
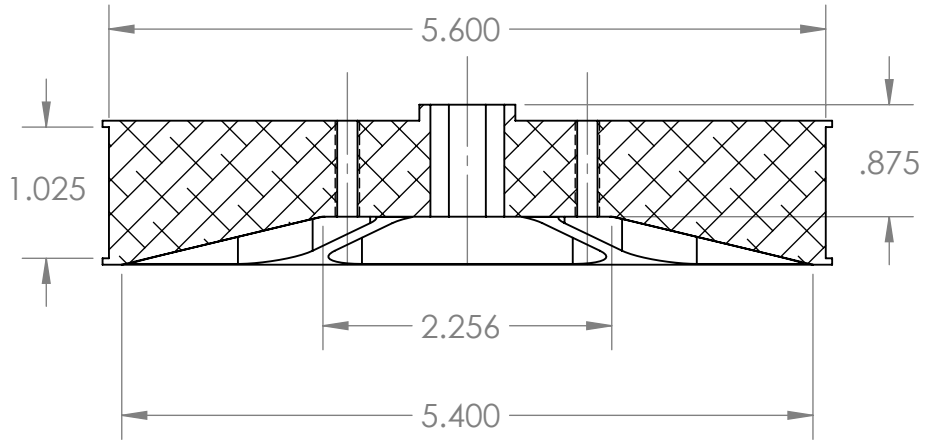
1

REVISION HISTORY			
REV.	DESCRIPTION	DATE	DRAWN BY
1	ORIGINAL PRINT	1/18/2018	C. THEISS
2	DRAWN TO MEET AMDS-1	5/16/2018	A. SHORES
3	UPDATED DIMENTIONS	9/21/2018	N.MASSOUDA



DETAIL B
SCALE 4 : 3

SECTION A-A



*** SEE CAD FOR ADDITIONAL TOOLPATH INFO***



UNLESS OTHERWISE SPECIFIED:		COMMENTS:				
DIMENSIONS ARE IN INCHES		DUAL DIMENSIONS ARE IN MILLIMETERS.				
TOLERANCES:		BREAK ALL SHARP EDGES.		6IN PERFORMANCE WHEEL		
FRACTIONAL	±1/16			500 HEX BORE		
ANGULAR: MACH	±1°			SIZE	DWG. NO.	REV
ANGULAR: BEND	±5°			B	am-0095b	3
ONE PLACE DECIMAL	±0.1			SCALE: 2:3		
TWO PLACE DECIMAL	±0.01			SHEET 1 OF 1		
THREE PLACE DECIMAL	±0.005					
FOUR PLACE DECIMAL	±0.0005					
MATERIAL	6061-T6 AL	CHECKED	NAME	DATE		
FINISH	TUMBLER	ENG APPR.	NL	5/29/18		
DO NOT SCALE DRAWING		MFG APPR.				
		Q.A.				

4

3

2

1

B

B

A

A