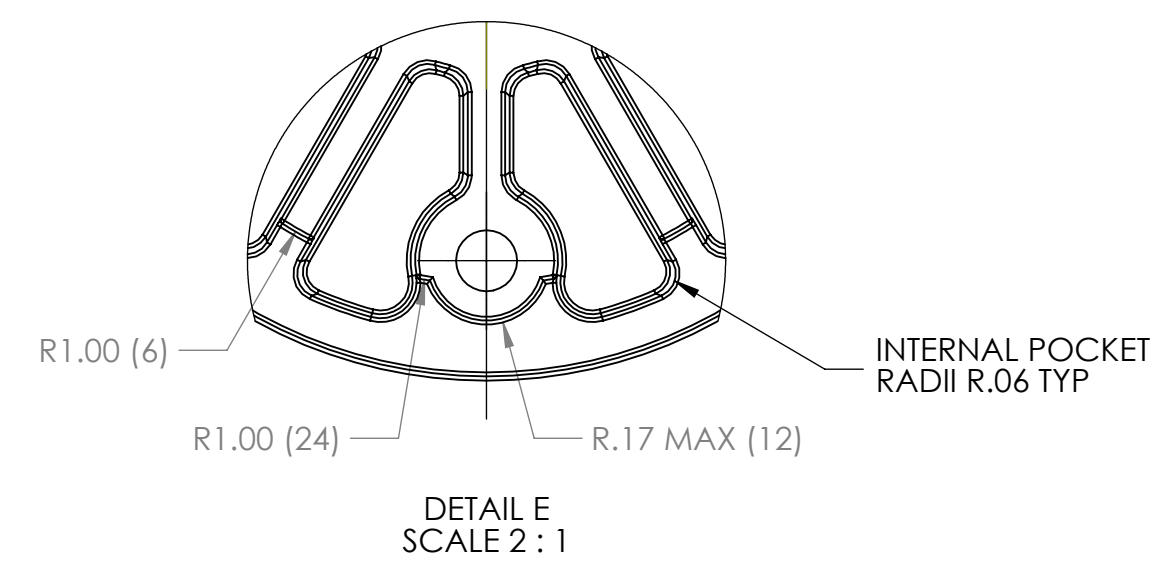
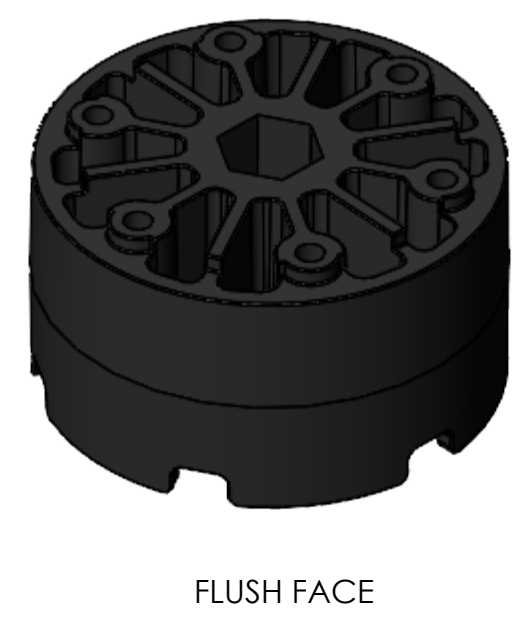
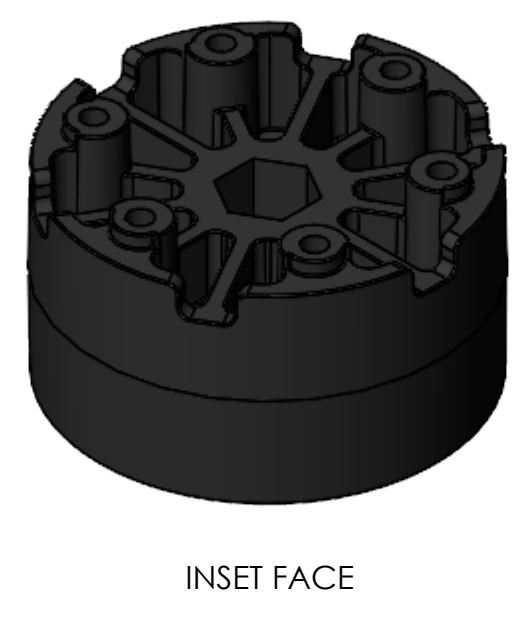
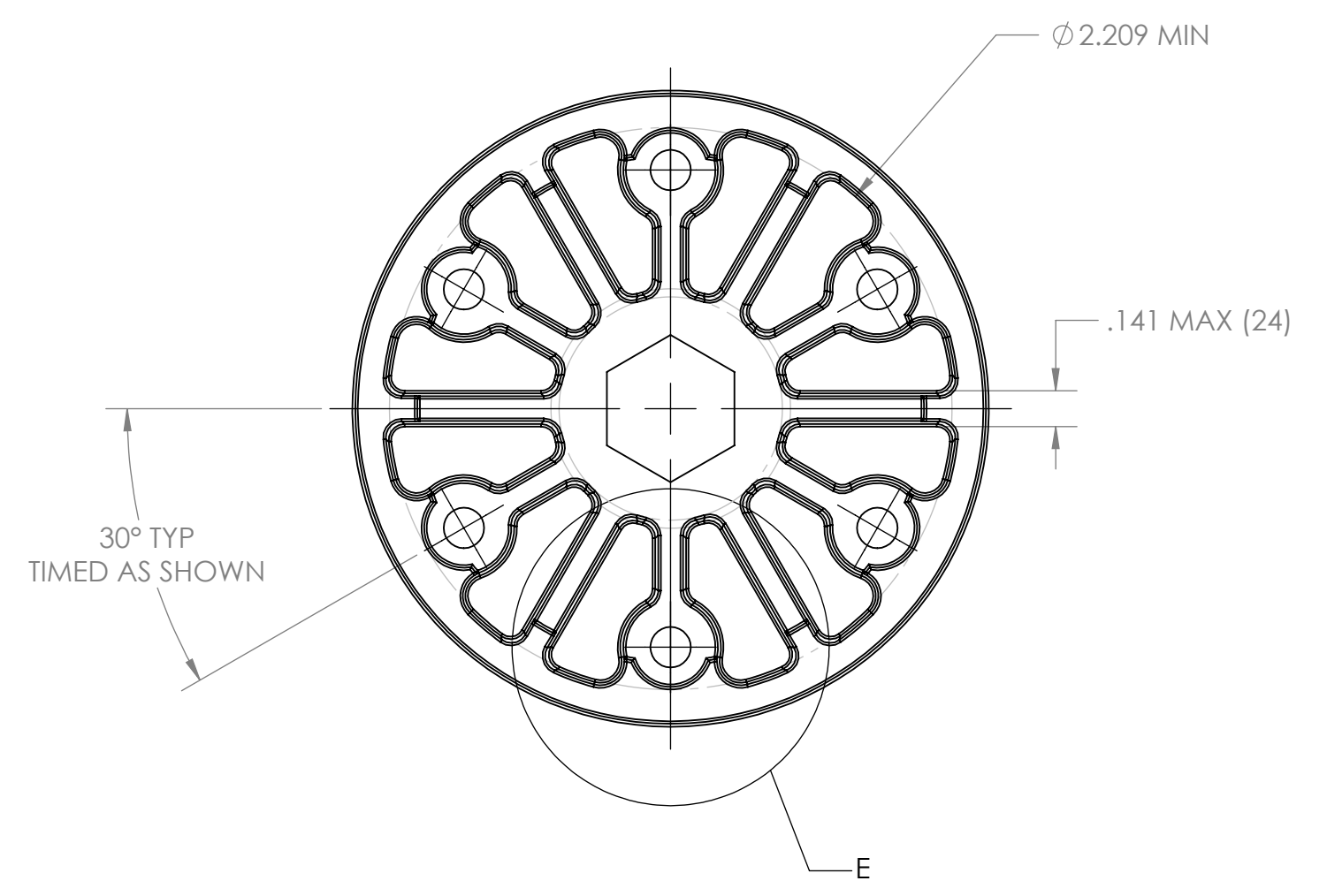
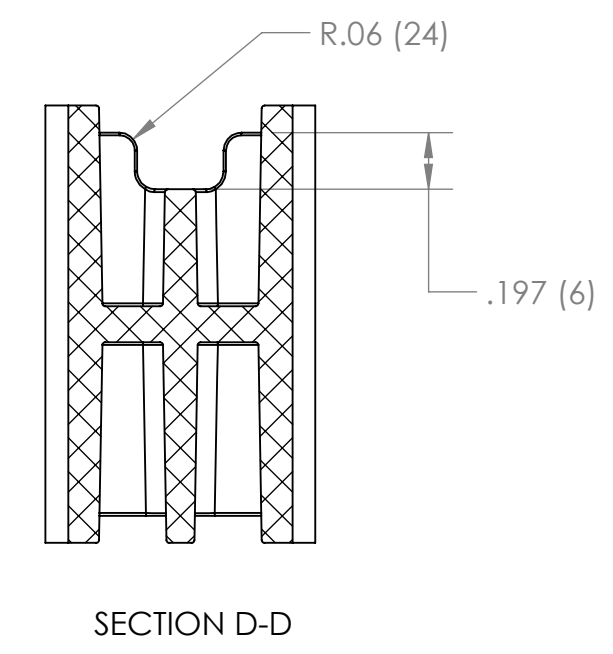
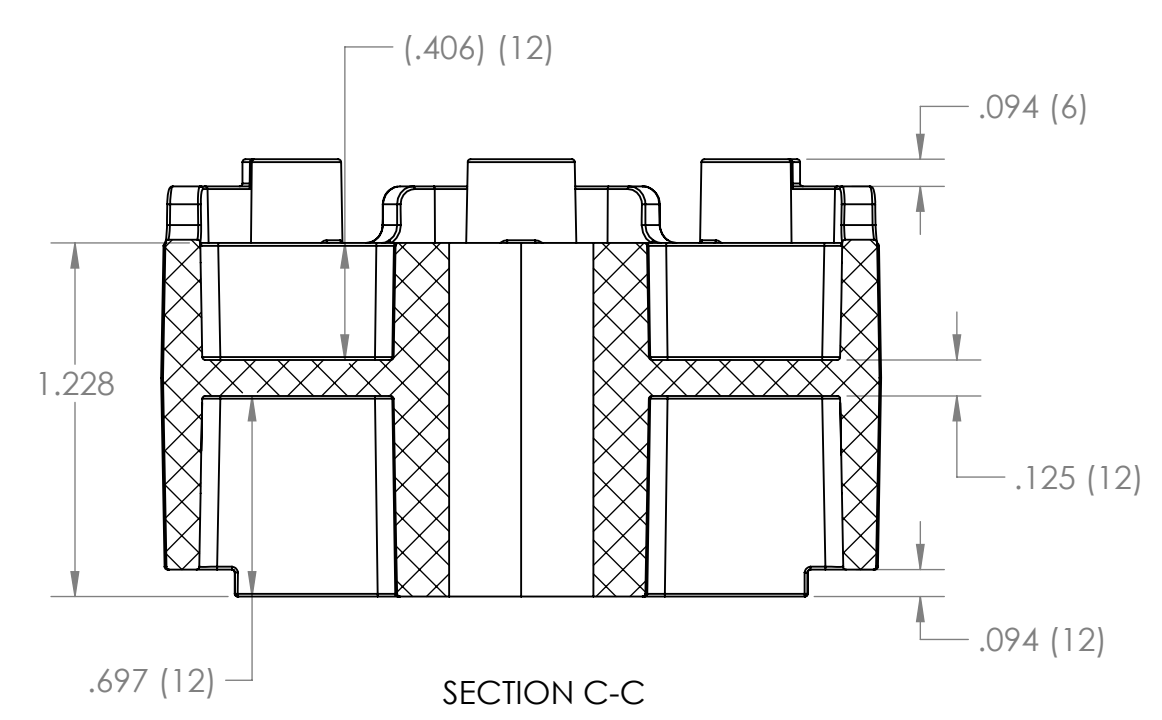
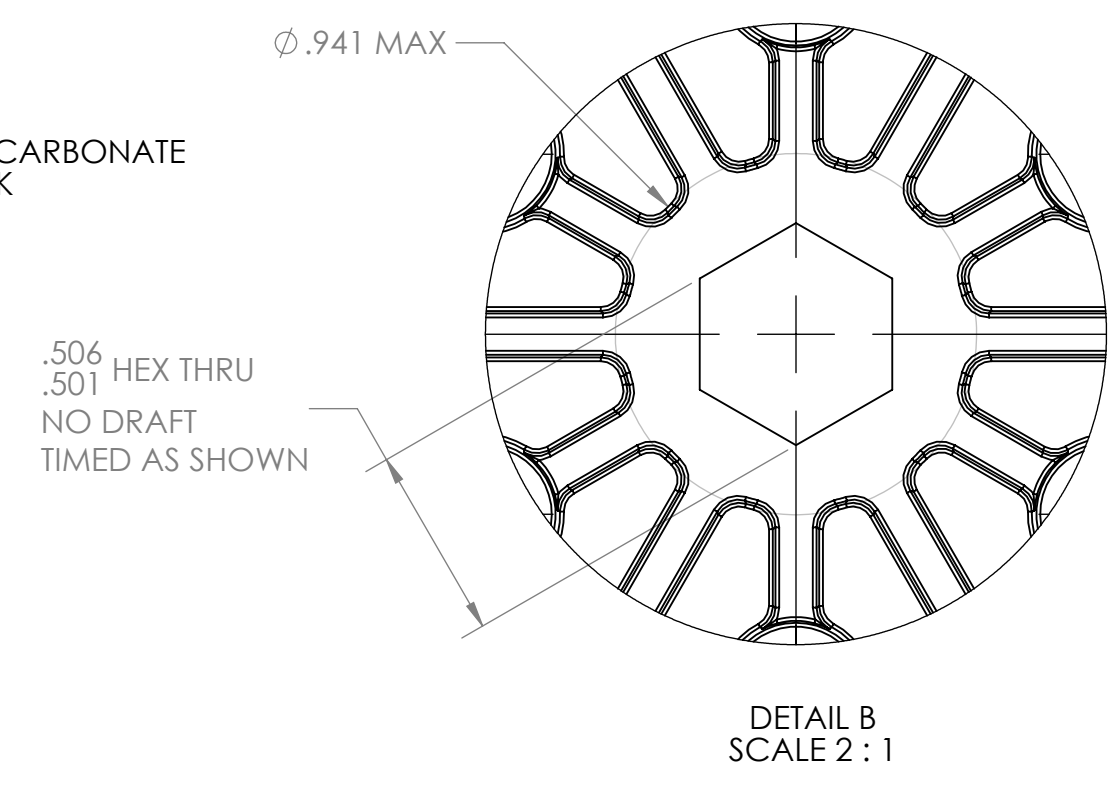
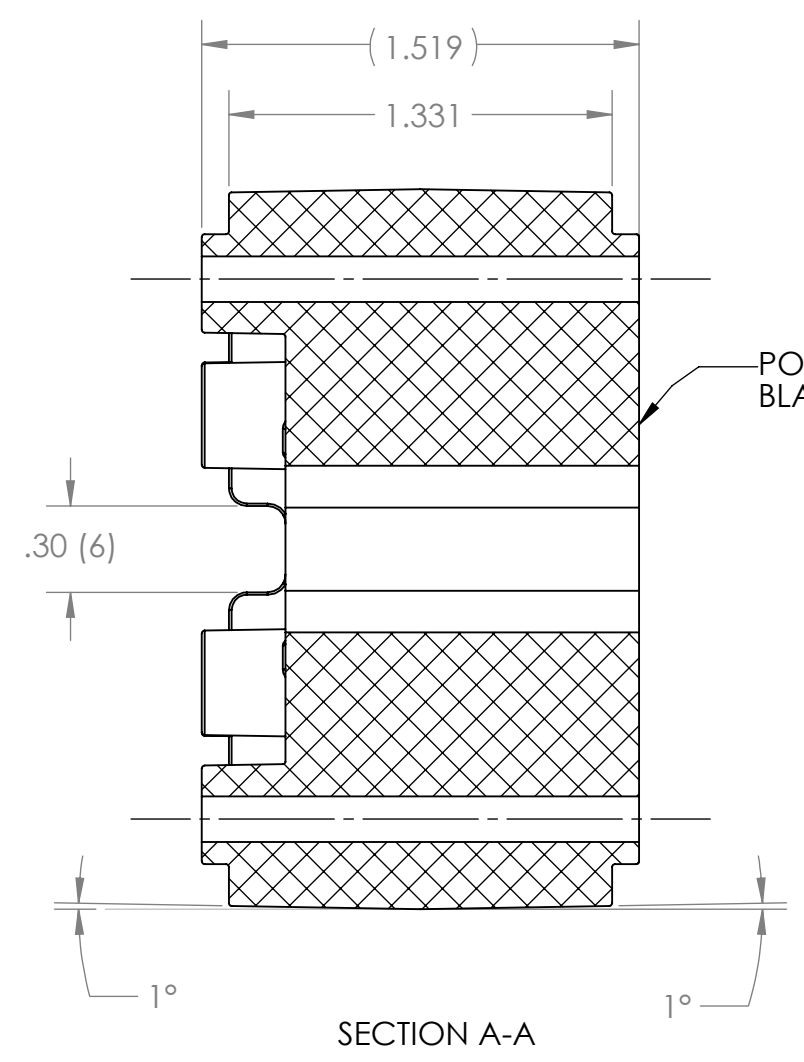
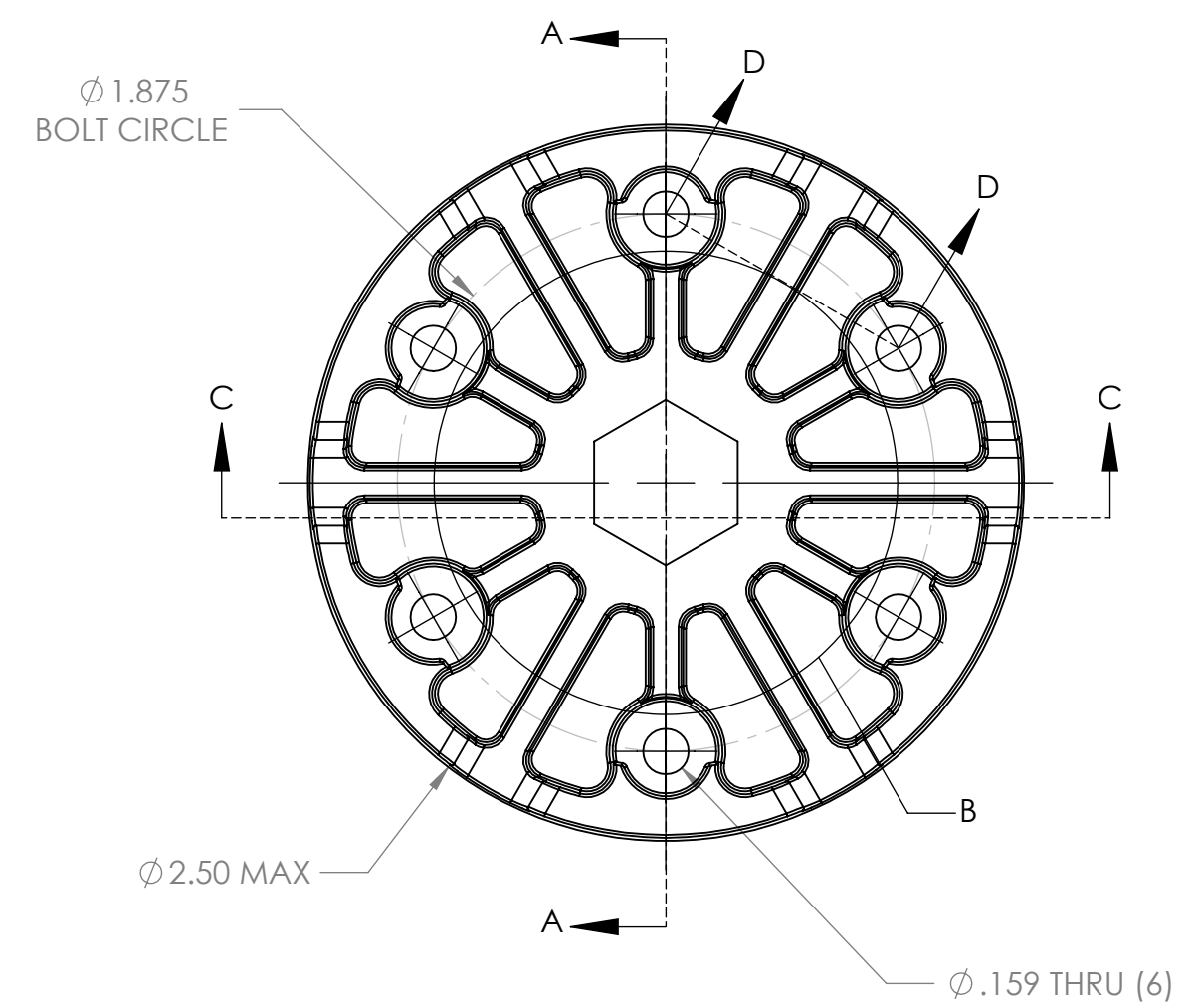


REVISION HISTORY			
REV.	DESCRIPTION	DATE	DRAWN BY
1	ORIGINAL PRINT	6/6/2022	P. YEUNG



*** SEE CAD FOR ADDITIONAL TOOLPATH INFO***

UNLESS OTHERWISE SPECIFIED:		COMMENTS:	
DIMENSIONS ARE IN INCHES		DUAL DIMENSIONS ARE IN MILLIMETERS.	
TOLERANCES:		BREAK ALL SHARP EDGES.	
FRACTIONAL	±1/16	ALL FILLET RADII .010 UOS	
ANGULAR: MACH	±1°	ALL POCKET DRAFT ANGLES 1° UOS	
ANGULAR: BEND	±5°		
ONE PLACE DECIMAL	±0.1		
TWO PLACE DECIMAL	±0.01		
THREE PLACE DECIMAL	±0.005		
FOUR PLACE DECIMAL	±0.0005		
MATERIAL	PC	CHECKED	NAME
FINISH	DEBURRED	ENG APPR.	NL
		MFG APPR.	
		Q.A.	

		TITLE: 4IN BALL BEARING MECANUM HUB, 500IN HEX BORE	
SIZE	DWG. NO.	REV	
C	am-4736_hub	1	
SCALE: 1.5:1		SHEET 1 OF 1	