

REVISION HISTORY			
REV.	DESCRIPTION	DATE	DRAWN BY
1	ORIGINAL PRINT	7/14/2022	T. JORGENSEN

LASER ENGRAVED
MYRIAD PRO SIZE 14 FONT
ALIGNED AS SHOWN

Ø 2.000
BOLT CIRCLE

Ø 1.875
BOLT CIRCLE

Ø .201 THRU (12)
TIMED TO TEETH
AS SHOWN

Ø 4.276
OUTSIDE DIAMETER

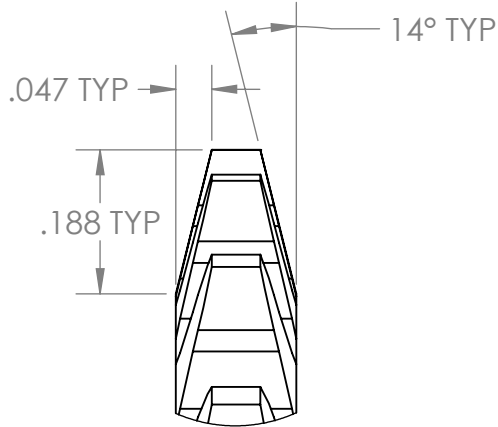
Ø 4.064
PITCH DIAMETER

30° (12)

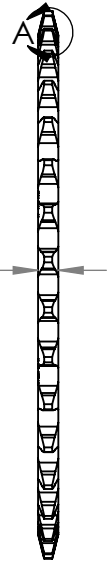
Ø 1.126 THRU
Ø 1.124 THRU

34T #35 SERIES
ROLLER CHAIN SPROCKET
CLEAN CUT NO BURRS


[4.0]
.157



DETAIL A
SCALE 4 : 1



*** SEE CAD FOR ADDITIONAL TOOLPATH INFO***

UNLESS OTHERWISE SPECIFIED:		COMMENTS:																													
DIMENSIONS ARE IN INCHES		DUAL DIMENSIONS ARE IN MILLIMETERS.																													
TOLERANCES:		BREAK ALL SHARP EDGES.		TITLE: 34T 35 CHAIN 1125 IN BORE PLATE SPROCKET																											
FRACTIONAL	±1/16	<table border="1"> <tr> <td>MATERIAL</td> <td>7075-T6 AL</td> <td>CHECKED</td> <td>NAME</td> <td>DATE</td> </tr> <tr> <td>FINISH</td> <td>DEBURRED SILVER ANODIZED</td> <td>ENG APPR.</td> <td>NL</td> <td>7/29/22</td> </tr> <tr> <td></td> <td></td> <td>MFG APPR.</td> <td></td> <td></td> </tr> <tr> <td></td> <td></td> <td>Q.A.</td> <td></td> <td></td> </tr> <tr> <td colspan="2">DO NOT SCALE DRAWING</td> <td></td> <td></td> <td></td> </tr> </table>		MATERIAL	7075-T6 AL	CHECKED	NAME	DATE	FINISH	DEBURRED SILVER ANODIZED	ENG APPR.	NL	7/29/22			MFG APPR.					Q.A.			DO NOT SCALE DRAWING					SIZE	DWG. NO.	REV
MATERIAL	7075-T6 AL			CHECKED	NAME	DATE																									
FINISH	DEBURRED SILVER ANODIZED			ENG APPR.	NL	7/29/22																									
				MFG APPR.																											
				Q.A.																											
DO NOT SCALE DRAWING																															
ANGULAR: MACH	±1°	A			am-4794	1																									
ANGULAR: BEND	±5°	SCALE: 1:1.5			SHEET 1 OF 1																										
ONE PLACE DECIMAL	±0.1																														
TWO PLACE DECIMAL	±0.01																														
THREE PLACE DECIMAL	±0.005																														
FOUR PLACE DECIMAL	±0.0005																														

