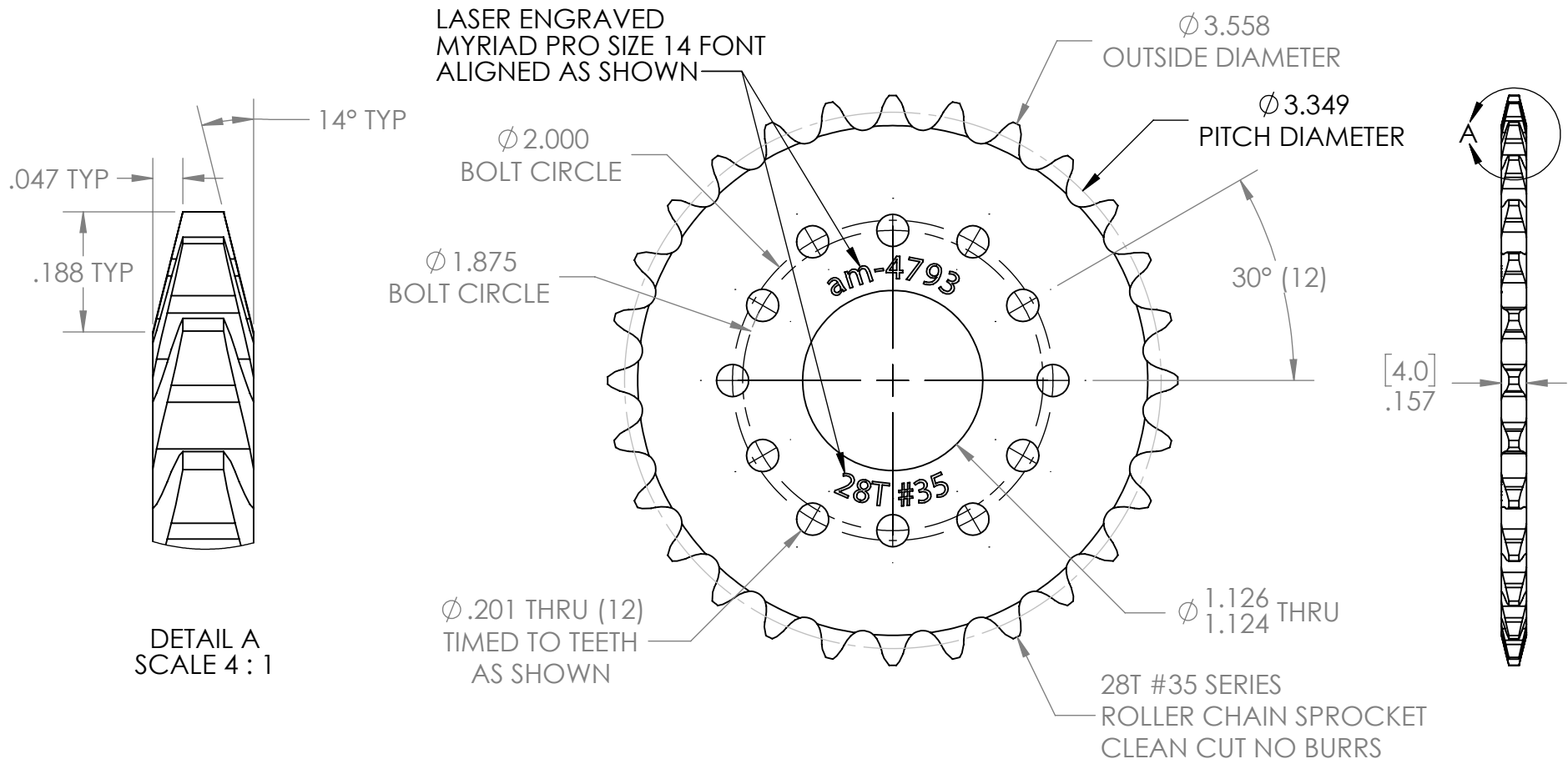
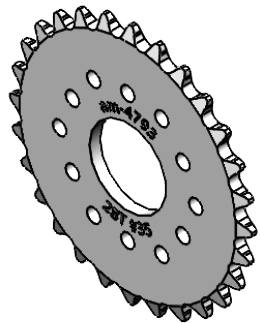


REVISION HISTORY			
REV.	DESCRIPTION	DATE	DRAWN BY
1	ORIGINAL PRINT	7/13/2022	T. JORGENSEN



DETAIL A
SCALE 4 : 1

*** SEE CAD FOR ADDITIONAL TOOLPATH INFO***



UNLESS OTHERWISE SPECIFIED:		COMMENTS:																			
DIMENSIONS ARE IN INCHES		DUAL DIMENSIONS ARE IN MILLIMETERS.																			
TOLERANCES:		BREAK ALL SHARP EDGES.		TITLE: 28T 35 CHAIN 1125 IN BORE PLATE SPROCKET																	
FRACTIONAL	±1/16	<table border="1"> <thead> <tr> <th>CHECKED</th> <th>NAME</th> <th>DATE</th> </tr> </thead> <tbody> <tr> <td> </td> <td>NL</td> <td>7/29/22</td> </tr> <tr> <td>ENG APPR.</td> <td> </td> <td> </td> </tr> <tr> <td>MFG APPR.</td> <td> </td> <td> </td> </tr> <tr> <td>Q.A.</td> <td> </td> <td> </td> </tr> </tbody> </table>		CHECKED	NAME	DATE		NL	7/29/22	ENG APPR.			MFG APPR.			Q.A.			SIZE	DWG. NO.	REV
CHECKED	NAME			DATE																	
	NL			7/29/22																	
ENG APPR.																					
MFG APPR.																					
Q.A.																					
ANGULAR: MACH	±1°	<table border="1"> <tr> <td>A</td> <td>am-4793</td> <td>1</td> </tr> </table>	A	am-4793	1	SCALE: 1:1	SHEET 1 OF 1														
A	am-4793		1																		
ANGULAR: BEND	±5°																				
ONE PLACE DECIMAL	±0.1																				
TWO PLACE DECIMAL	±0.01																				
THREE PLACE DECIMAL	±0.005	MATERIAL 7075-T6 AL																			
FOUR PLACE DECIMAL	±0.0005	FINISH DEBURRED SILVER ANODIZED																			
DO NOT SCALE DRAWING																					