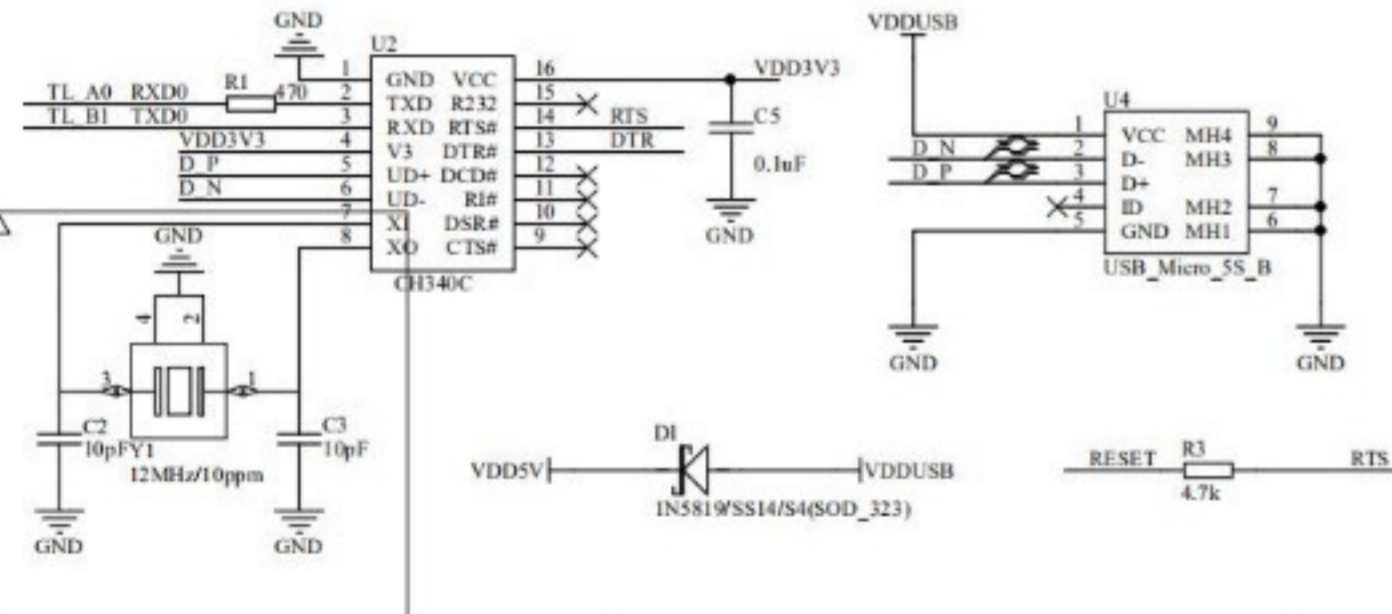
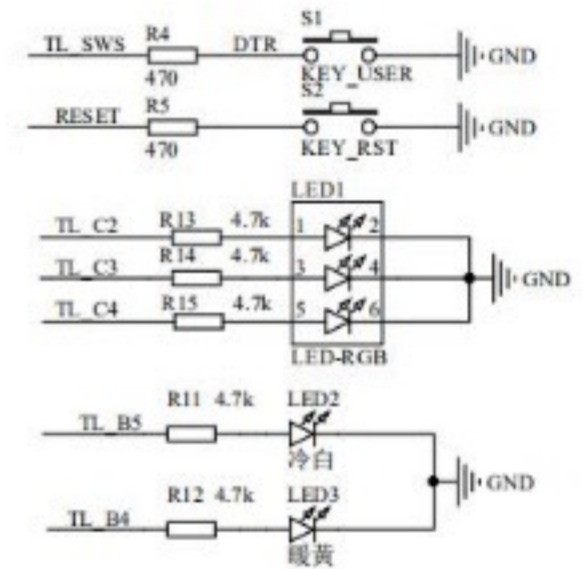
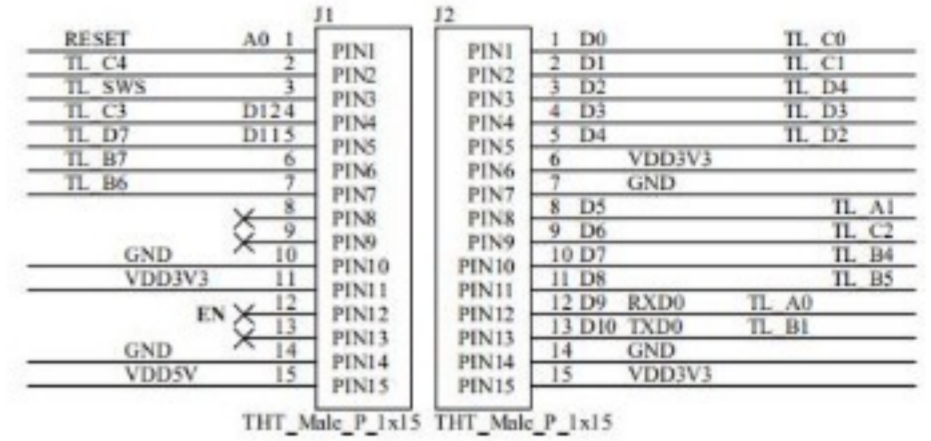
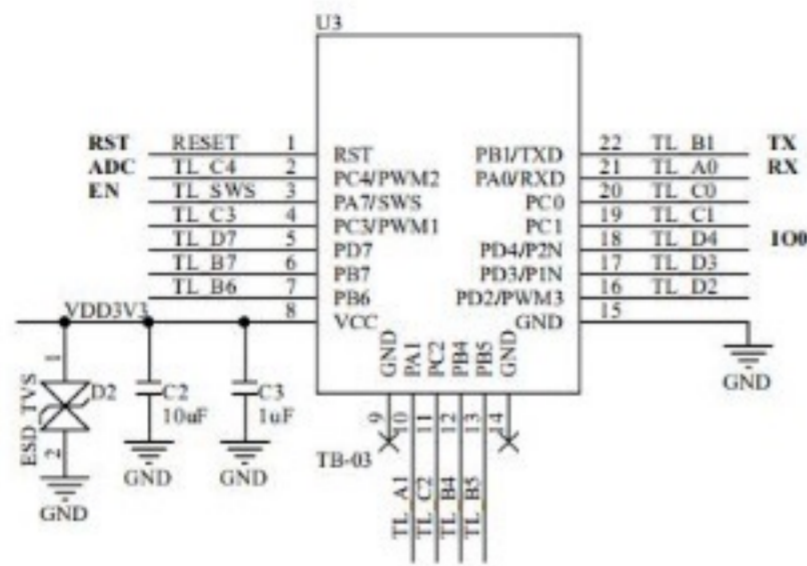


Working Output: 3.3V 800mA
 Working Current Limit: 1000mA
 Max Current: 1000mA
 Max Supply Voltage: 20V
 Voltage Dropout: 1.2V@800mA



PWM:
 PWM0:PC2
 PWM1:PC3
 PWM2:PC4
 PWM3:PD2
 PWM4:PB4
 PWM5:PB5

Title	
Size	Number
A4	
Date:	2023/9/2
File:	D:\26_2\TB-03F开发板\TB-03F-KIT_SchDown By:
Sheet	of
	Revision