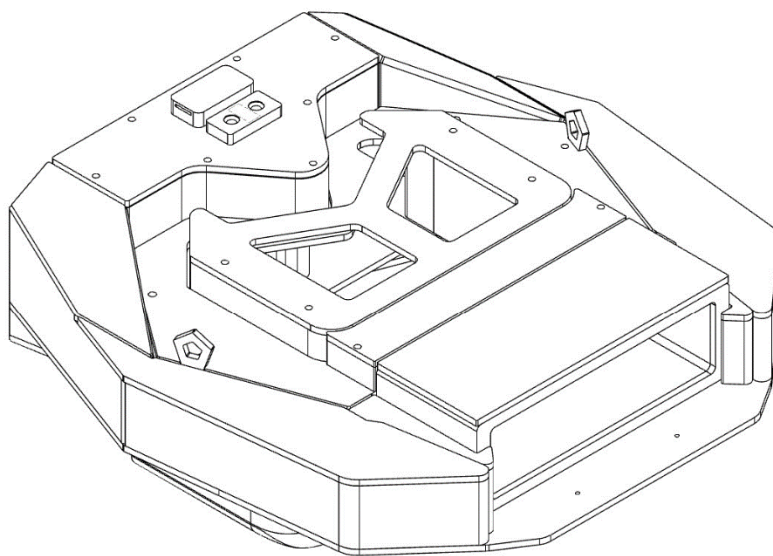


# SkimAtom

## USER MANUAL



English

*SkimAtom Robotic Pool Cleaner User Manual*

# **SkimAtom**

# SkimAtom

## Contents

---

SkimAtom Robotic Pool Cleaner .....	3
Things To Pay Attention To!.....	4
SkimAtom Overview .....	5
Unboxing .....	8
Charging Procedure.....	8
Auxiliary Components.....	11
Pool Cleaning.....	13
Manual Mode.....	17
Auto Mode.....	18
Advanced Settings .....	20
Filter cleaning.....	21
Off-Season Storage .....	22

*SkimAtom Robotic Pool Cleaner User Manual*

**SkimAtom**

# SkimAtom

## SkimAtom Robotic Pool Cleaner

The SkimAtom is thoughtfully designed to clean your pool's surface. It is suitable for all pool shapes and offers both automatic and manual modes for your convenience. You can easily control it manually with a joystick. Two pump motors allow it to move in any desired direction.

It is equipped with a 6-axis gyro system to sense its orientation and make turns. Plus, it has a collision sensor to detect when it approaches the pool's edge. A single charging and operating key ensure safety, preventing charging while the electronic system is active. Additionally, the SkimAtom design facilitates easy filter maintenance, making pool cleaning an effortless.

Welcome to the world of the SkimAtom!

*SkimAtom Robotic Pool Cleaner User Manual*

**SkimAtom**

# SkimAtom

## Things To Pay Attention To!

---

- ! **Poolside Protocol:** Prior to utilizing you are the SkimAtom, kindly ensure that the pool area is clear of any individuals.
- ! **Weather Conditions:** Avoid operating the robot in inclement weather.
- ! **Robot's Repose:** After a successful cleaning session, elevate the SkimAtom from the water and provide it with shelter in a shaded area.
- ! **Switch Custody:** Treat the accompanying switch with utmost care and store it beyond the reach of children.
- ! **Charger Selection:** Exclusively employ the charger that accompanies the SkimAtom. It is the ideal match for seamless performance.
- ! **Sealed Integrity:** We recommend against tampering with the electronic box or loosening bolts, as these actions could compromise the robot's waterproof capabilities.
- ! **Dry Docking:** When charging the SkimAtom, make sure it is standing in a dry and shaded place.
- ! **Aquatic Operations:** The SkimAtom is optimised for water tasks only. Do not operate the robot outside of water!
- ! **Handle with Care:** Kindly refrain from dropping the robot and keep it away from open flames.

*SkimAtom Robotic Pool Cleaner User Manual*

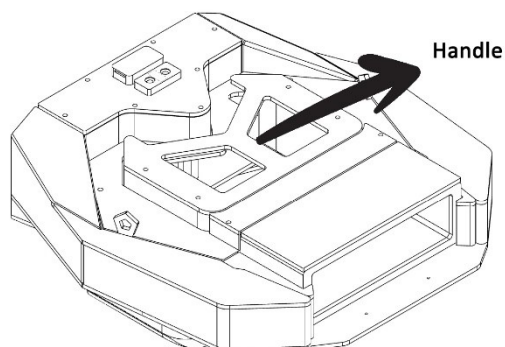
**SkimAtom**

# SkimAtom

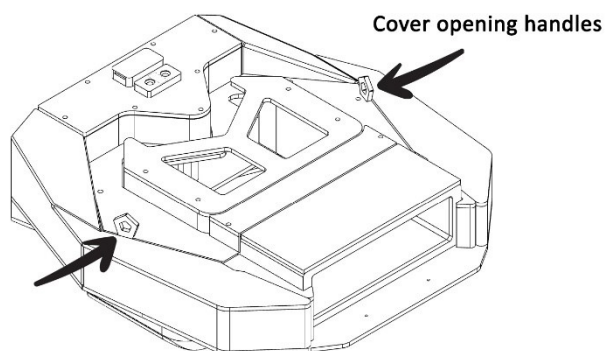
## SkimAtom Overview

---

- ◆ **Handle:** Robot can be carried via handle



- ◆ **Cover Opening Handles:** Use these handles to remove cover.

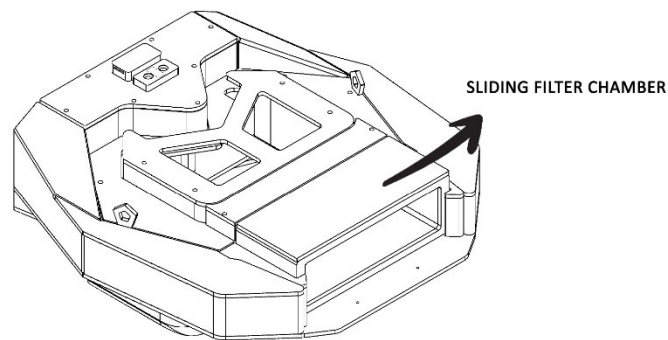


*SkimAtom Robotic Pool Cleaner User Manual*

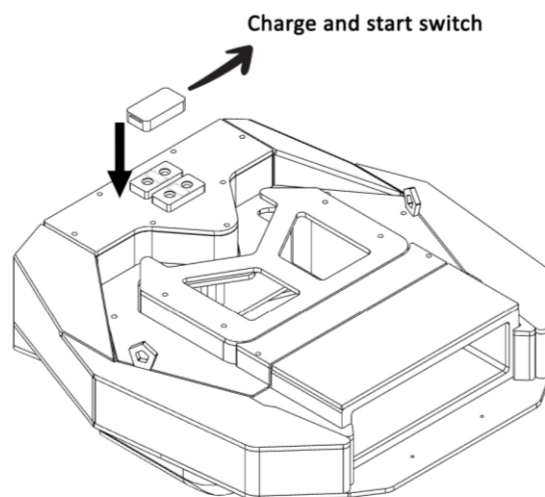
# SkimAtom

# SkimAtom

- ◆ **Sliding Filter Chamber:** Filter system with sliding mechanism that catches unwanted objects on the pool surface.



- ◆ **Switch:** The switch is to run the robot and start charging.

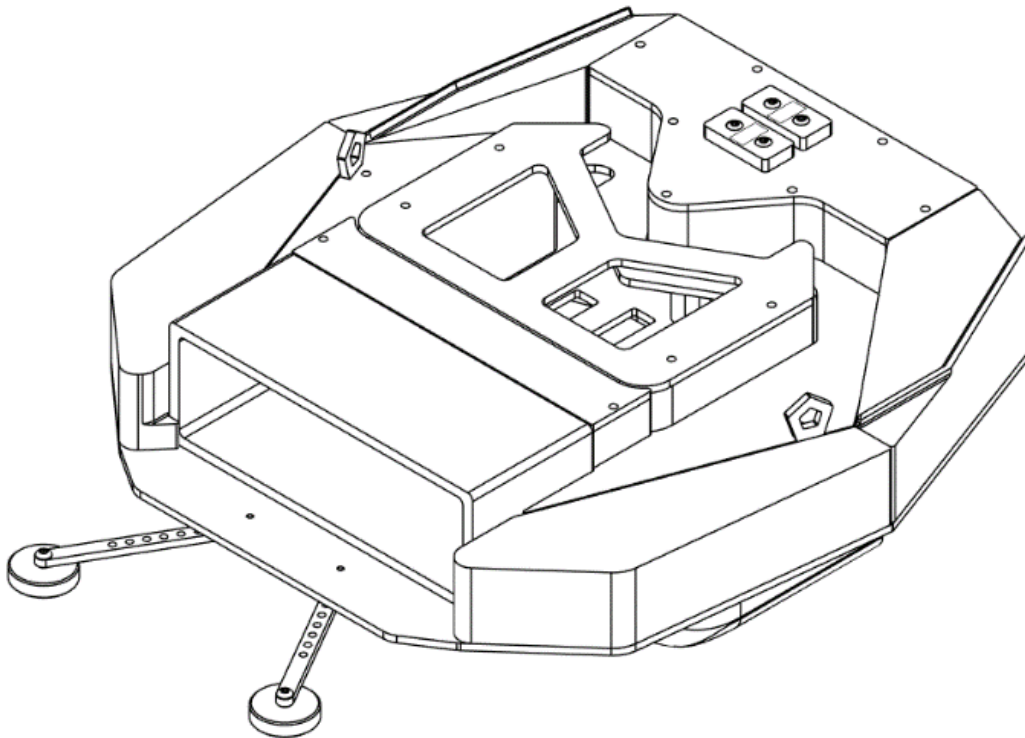


*SkimAtom Robotic Pool Cleaner User Manual*

# SkimAtom

# SkimAtom

- ◆ **Auxiliary Components:** Available as an option for improved manoeuvrability. Prevents getting stuck in edges and corners.



*SkimAtom Robotic Pool Cleaner User Manual*

**SkimAtom**

# SkimAtom

## Unboxing

---

1. Open the SkimAtom box carefully.
2. Take the SkimAtom out of the box.
3. Take the Auxiliary components out of the box and assemble to the SkimAtom (Optional)
4. Before first use, charge the robot by following the '**Charging Procedure**'.

## Charging Procedure

---

1. If the SkimAtom is floating on the water, take it out of the water. Position the robot upright with the front facing upwards and let all the water drain for a while.
2. Ensure that the charging port is completely dry.

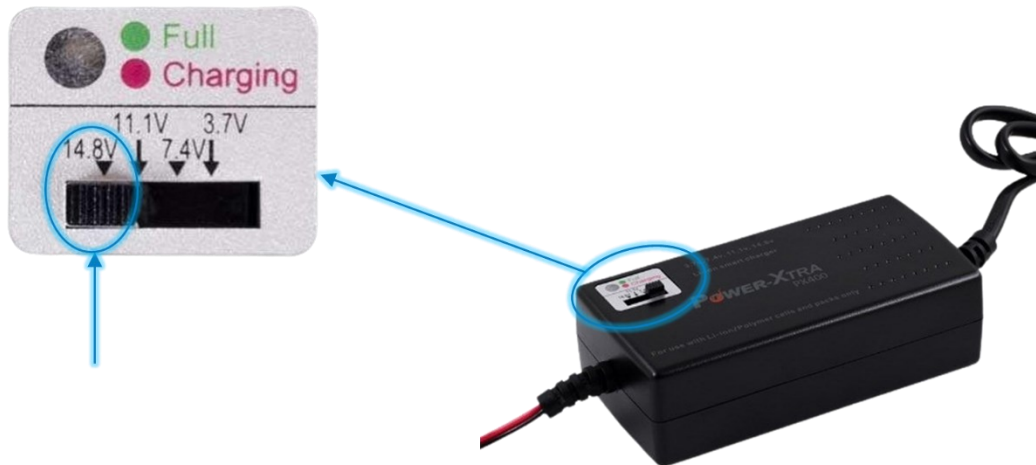
*SkimAtom Robotic Pool Cleaner User Manual*

**SkimAtom**

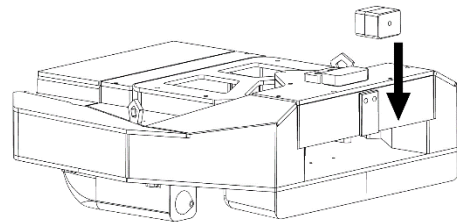


# SkimAtom

- Slide the pin to select the voltage of the charger as 14.8V.



- The charger is designed with a sliding system. Insert it by sliding it from top to bottom. Plug the charger into a socket.



The **red light** on the charger indicates that charging is continuing.

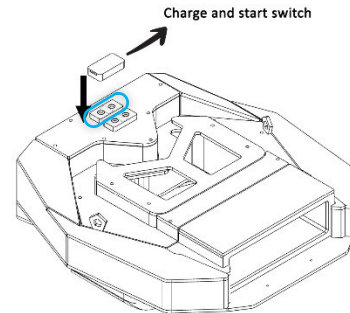
The **green light** indicates that charging is complete or that the charger is not correctly inserted into the SkimAtom.

*SkimAtom Robotic Pool Cleaner User Manual*

## SkimAtom

# SkimAtom

5. Insert the switch into the slot at the **back** of the robot. The front slot is used for powering up the robot.



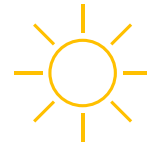
6. The charging time takes around 3 hours.



- ◆ If the robot will not be in use for an extended period, ensure it is charged fully before storing it.



- ◆ Only use the charger provided in the box and keep the robot away from direct sunlight while charging.



*SkimAtom Robotic Pool Cleaner User Manual*

# SkimAtom

# SkimAtom

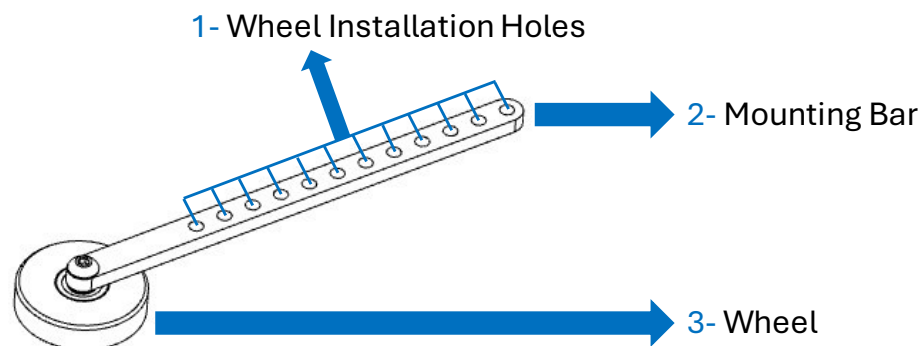
## Auxiliary Components

---

The SkimAtom comes with a set of auxiliary parts to ensure effective cleaning on the surface of your pool. These auxiliary parts give the robot better manoeuvrability, preventing it from getting stuck in the edges and corners, allowing it to get out easily if a stuck occurs, and providing more controlled contact with the edges and corners of your pool.

The auxiliary parts consist of two wheeled parts. In case of using auxiliary parts, each wheeled part must also be mounted on the robot.

There are twelve installation holes [1] on the mounting bar [2] connected to the wheel. You can adjust the collision distance with these holes. You can also find the appropriate angle by rotating the wheeled parts around the assembly hole of the SkimAtom [4].



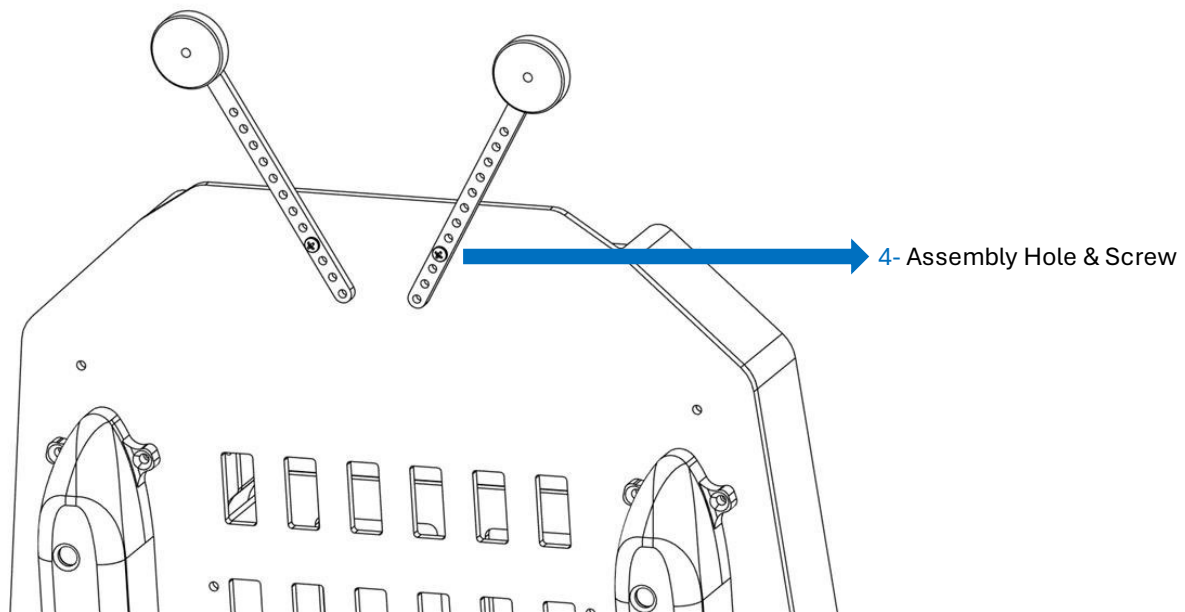
Assemble the wheeled auxiliary parts by mounting them to the bottom of the robot through the assembly holes [4]. By adjusting which mounting hole the wheel is attached to and the angle of the mounting bar in relative to the robot, you can achieve the appropriate collision distance of the SkimAtom with the sides and walls of your pool.

*SkimAtom Robotic Pool Cleaner User Manual*

# SkimAtom

# SkimAtom

Install the bolt [4] included in the SkimAtom box with a screwdriver. After assembly, the bolt head should remain at the bottom of the robot.



*SkimAtom Robotic Pool Cleaner User Manual*

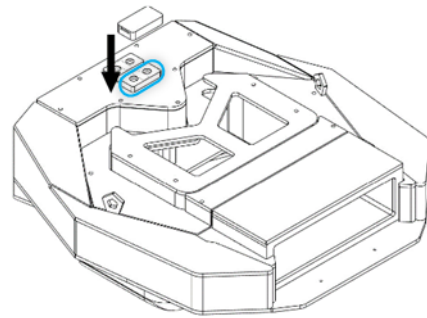
# **SkimAtom**

# SkimAtom

## Pool Cleaning

---

1. Fully charge the SkimAtom.
2. Gently float the robot in the water.
3. Insert the switch into the **front** slot. The electronic system will switch on by inserting the switch into the **front** slot.



4. Install the application called the **SkimAtom** from Google Play Store or AppStore to your mobile device.
5. Activate the **Bluetooth** feature of your mobile device<sup>1</sup>.

---

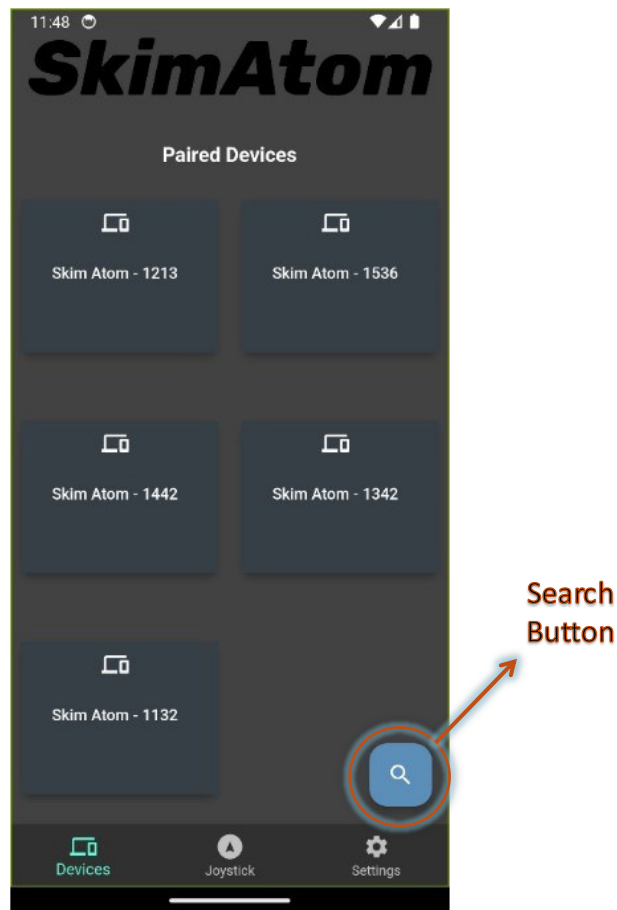
<sup>1</sup> For some models of smart phones, the GPS feature may need to be enabled.

*SkimAtom Robotic Pool Cleaner User Manual*

# SkimAtom

# SkimAtom

6. Open the **SkimAtom** application on your mobile device and access the 'Devices' tab. Select your SkimAtom Pool Cleaning Robot to connect.<sup>2</sup>



To use a new SkimAtom Pool Cleaning Robot, use the 'Search' button.

---

<sup>2</sup> No paired device will appear on first use. Search for a new device with the Search button.

# SkimAtom

7. To pair the SkimAtom, select the device named 'SkimAtom' while **Discovering Devices**. The device will appear in the '**Paired Devices**' section after the first pairing to the SkimAtom.



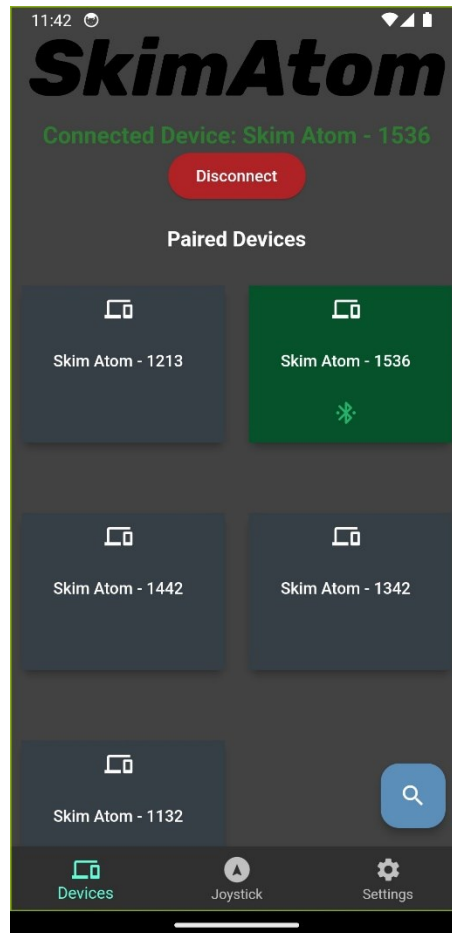
8. The application will request your confirmation for pairing with the selected device. After your confirmation, the pairing is complete.

*SkimAtom Robotic Pool Cleaner User Manual*

## **SkimAtom**

# SkimAtom

9. After successful pairing, you will see a list of all Paired devices as below.



Select the SkimAtom you intend to operate. Connected device will be seen as green on the screen.

10. After successful connection to the SkimAtom is ready to operate.

11. Switch to the 'Joystick' Tab. The robot has two driving modes, 'Manual' and 'Auto'. Details of both driving modes are given in the following sections.

*SkimAtom Robotic Pool Cleaner User Manual*

# SkimAtom



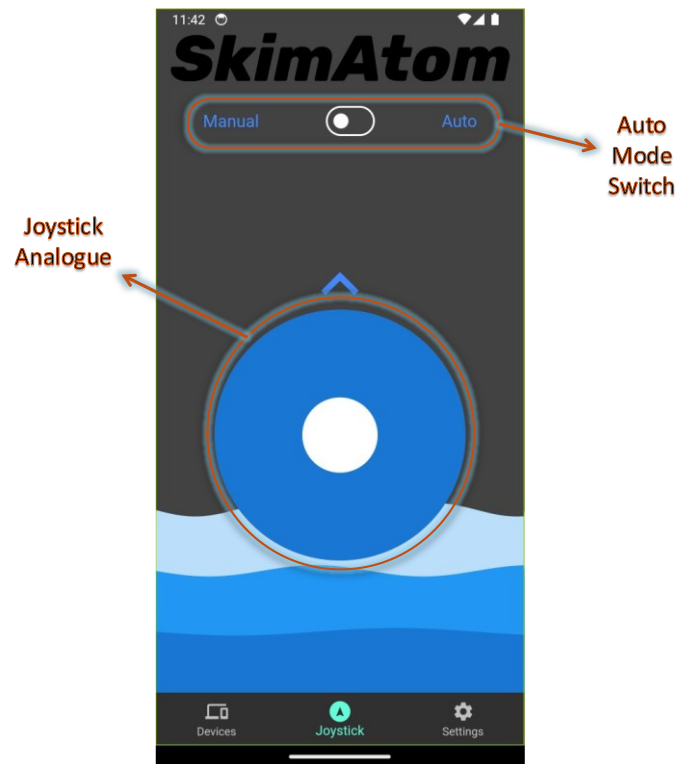
# SkimAtom

## Manual Mode

Manual Mode is the mode that allows you to manually control the SkimAtom Pool Cleaning Robot in real time.

Using the analogue joystick on the Joystick tab of the SkimAtom mobile app, you can move the robot in the direction you would like to clean your pool.

To turn the robot in any direction between fully left and fully right, move the analogue joystick in the same direction.



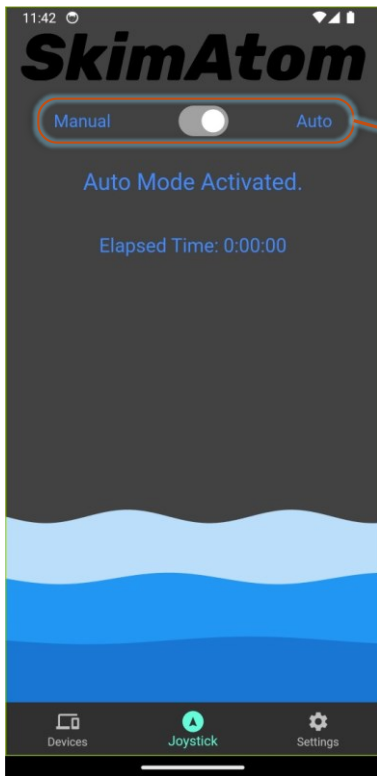
The Advanced Setting, which also has a limited effect in manual mode, can be accessed from the Settings Tab > SkimAtom screen. Advanced Settings significantly affect the robot's operating characteristics. It is recommended that only professional users adjust these settings.

*SkimAtom Robotic Pool Cleaner User Manual*

# SkimAtom

# SkimAtom

## Auto Mode



Auto  
Mode  
Switch

Tap the '**Auto Mode Switch**' on the **Joystick** tab to switch the SkimAtom Pool Cleaning Robot to automatic mode. Once activated, the display will indicate '**Auto Mode Activated**' and the robot will start operating in Auto Mode. Elapsed time will be started when Auto Mode is activated.

You can tap the '**Auto Mode Switch**' once again to return to Manual mode.

*SkimAtom Robotic Pool Cleaner User Manual*

# SkimAtom

# SkimAtom

Auto Mode is designed to offer you a highly convenient experience.

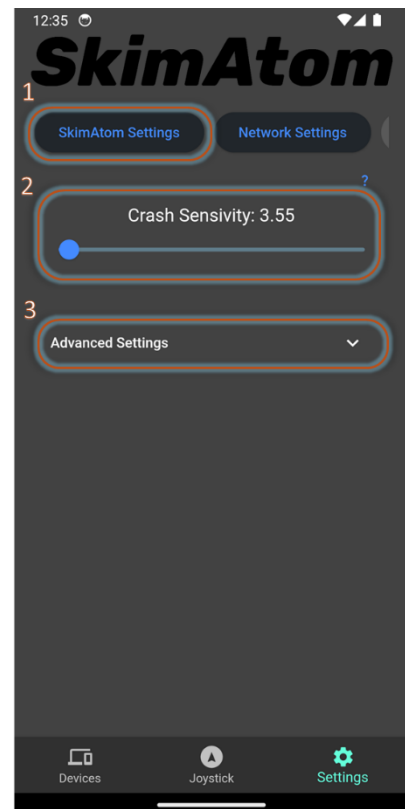
To run the robot in auto mode, simply place it in a random place in your pool and in a random direction.

When Auto Mode is activated, the robot travels straight to the edges or corners of your pool. It then initiates a right or left turn. If this rotation is not possible due to the pool's size or shape, the robot starts the rotation movement in the opposite direction. This way, it can keep cleaning without getting stuck anywhere.

The SkimAtom has a collision sensor on the SkimAtom Settings screen [1] of Settings tab. When it hits the edges and corners of the pool, the robot detects the collision and starts the necessary manoeuvre to continue its motion.

The Crash Threshold value [2] controls the sensitivity of the collision detection. It is advisable to maintain this value within a 5-6 range.

External factors such as wind, currents or ripples in your swimming pool can activate SkimAtom's collision sensor. In this instance, SkimAtom will rotate even if it does not come into contact with the edge of your pool. If you encounter this situation, it is recommended to increase the 'Crash Sensitivity' value.



*SkimAtom Robotic Pool Cleaner User Manual*

# SkimAtom

# SkimAtom

If SkimAtom does not start to rotate despite hitting obstacles such as edges and corners in your pool, it is likely that the Crash Sensitivity value is set too high, and no collision is being detected. In this case, it is recommended to decrease the Crash Sensitivity value.

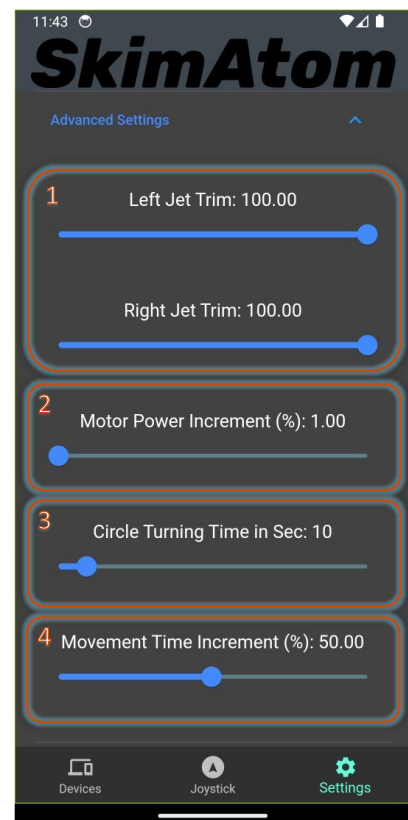
Advanced Settings [3] are available to maximize the functionality of the robot. These settings significantly affect the operating characteristics of the robot and are set in the most optimal configuration for you. It is recommended that only expert users adjust the settings.

## Advanced Settings

**Left & Right Jet Trim Settings [1]** screen located in the **Settings** tab. The power of the **Jet Motors** can be individually adjusted as a percentage.

The **Left Motor Trim** section enables manual adjustment of the power of the left motor, while the **Right Motor Trim** section allows manual adjustment of the power of the right motor.

The advanced settings indicated in numbers 2, 3 and 4 may be used to configure various Auto Modes that will be available with future software updates.



*SkimAtom Robotic Pool Cleaner User Manual*

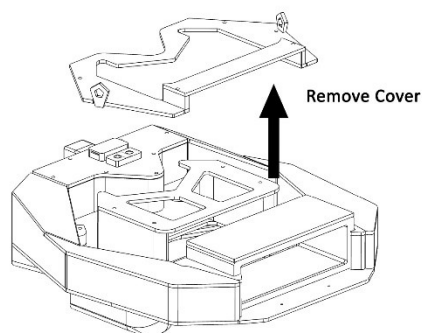
# SkimAtom

# SkimAtom

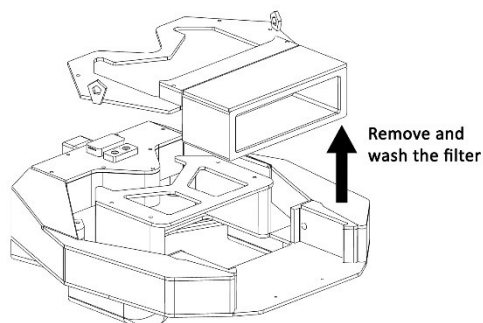
## Filter cleaning

---

1. Lift the cover by holding it by the handles.



2. Lift the sliding filter chamber up.



3. Turn the filter upside down and pour out the contents.
4. Optionally, you can perform detailed filter cleaning with a garden hose.

*SkimAtom Robotic Pool Cleaner User Manual*

# SkimAtom

# SkimAtom

## Off-Season Storage

---

1. Position the robot upright with the front facing upwards and let all the water drain for a while.
  2. Clean the filter and reinstall the filter.
  3. Always store in the shade.
- ◆ Fully charge if not in use for a long time.
  - ◆ Never charge the robot for long periods of time.
  - ◆ Do not leave the robot switch plugged in.

*SkimAtom Robotic Pool Cleaner User Manual*

**SkimAtom**